

**COLLECTION:** Chaco Culture NHP Files

**CDI  
ACCESSION  
NUMBER:**

000383

**ERRATA:**

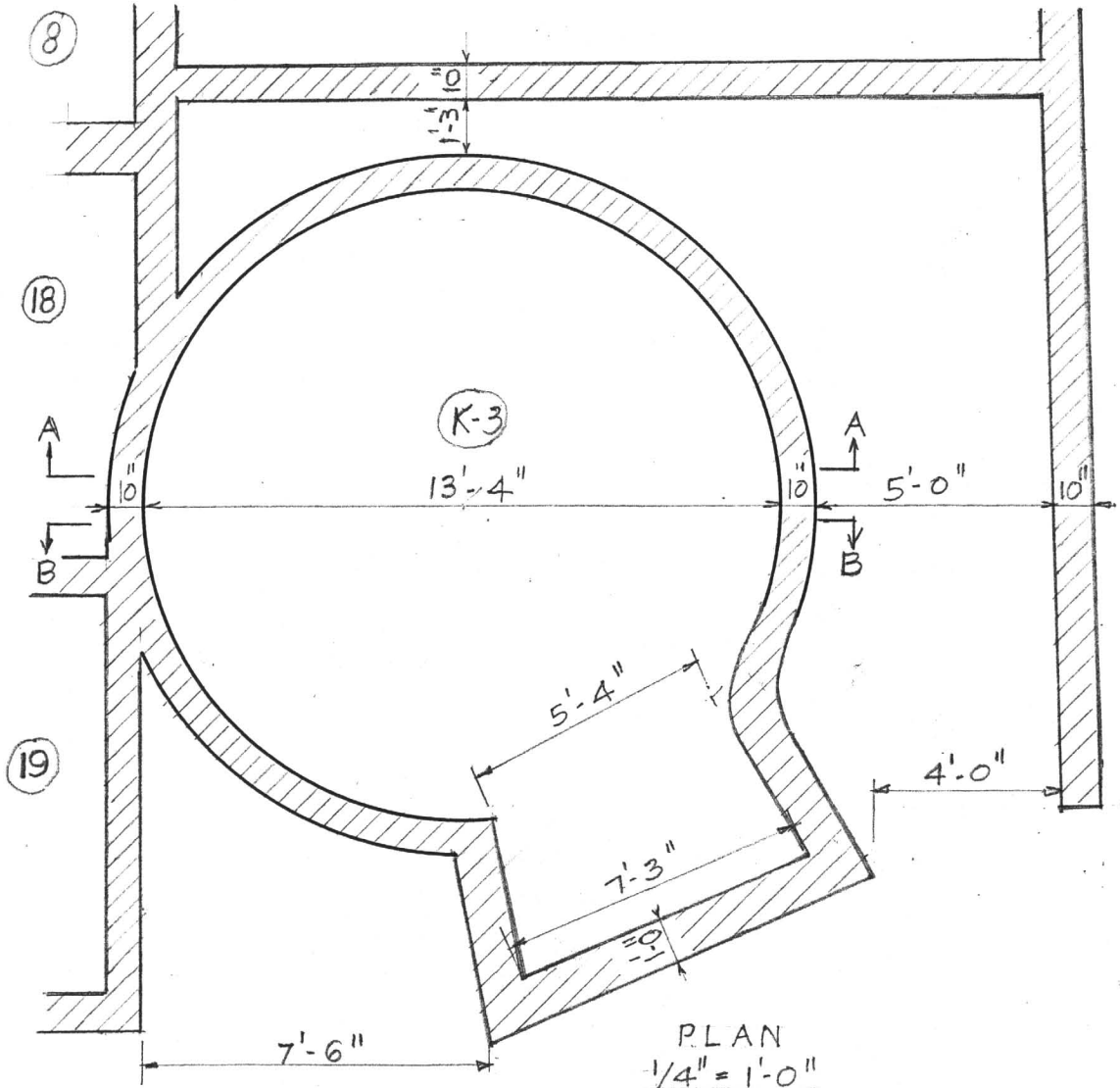
**COMMENTS:**

Set of sketch and pen & ink drawings depicting all the walls and plan view dimensions for each room at Bc 50. Includes information on bonded and abutted walls. Also includes Chaco Culture NHP Architecture Recording forms (wall construction) for various rooms.

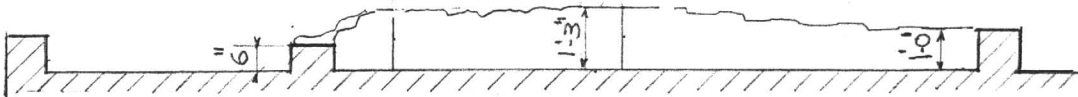
**CITATION:**

Author Unknown  
n.d. Bc 50 Architectural Drawing & Documentation. In Chaco Culture NHP Files, Chaco Culture National Historical Park, Chaco Canyon, New Mexico.





SECTION "A-A"



SECTION "B-B"

NOTES  
 ○ = ROOM NUMBER

K-1

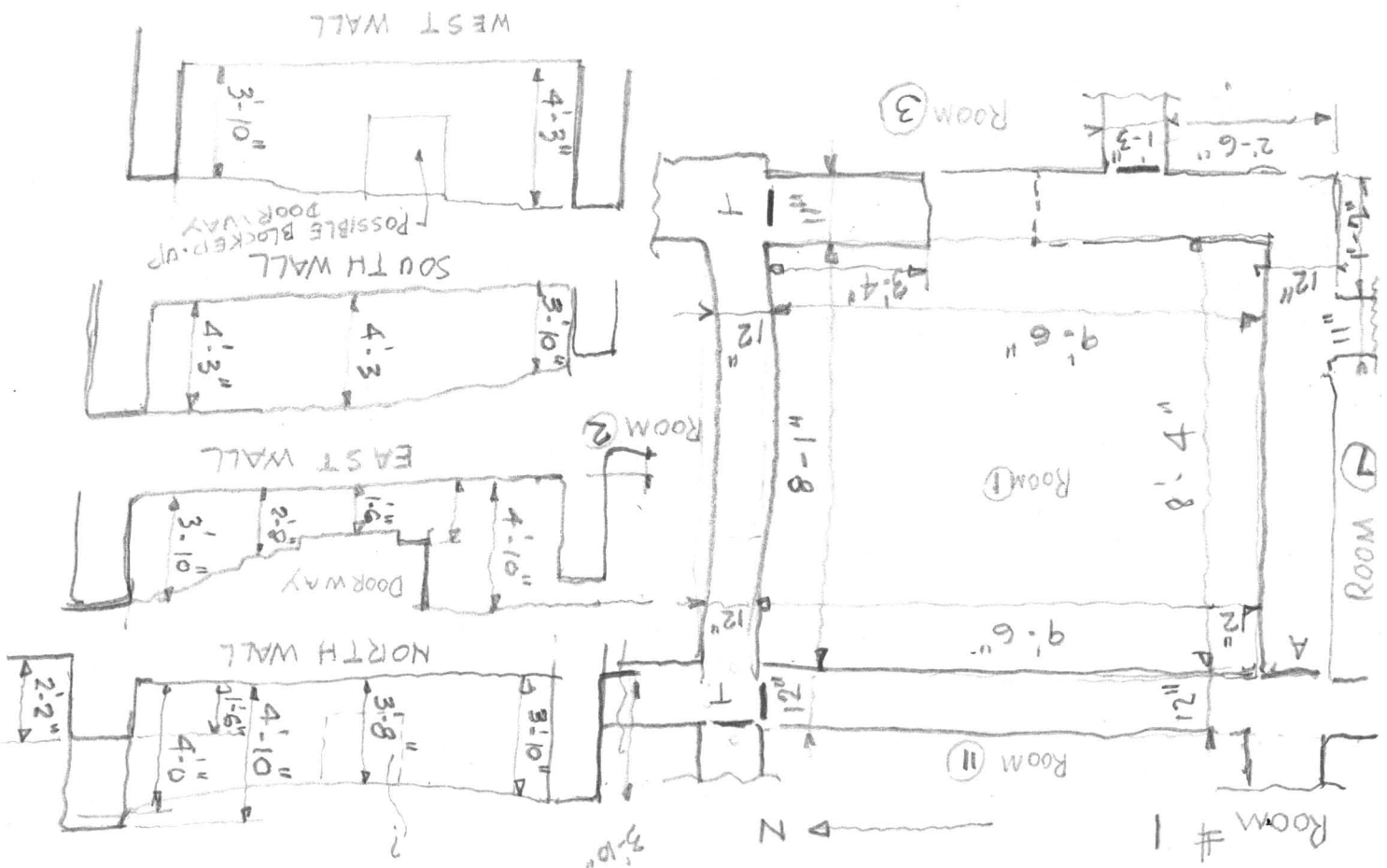
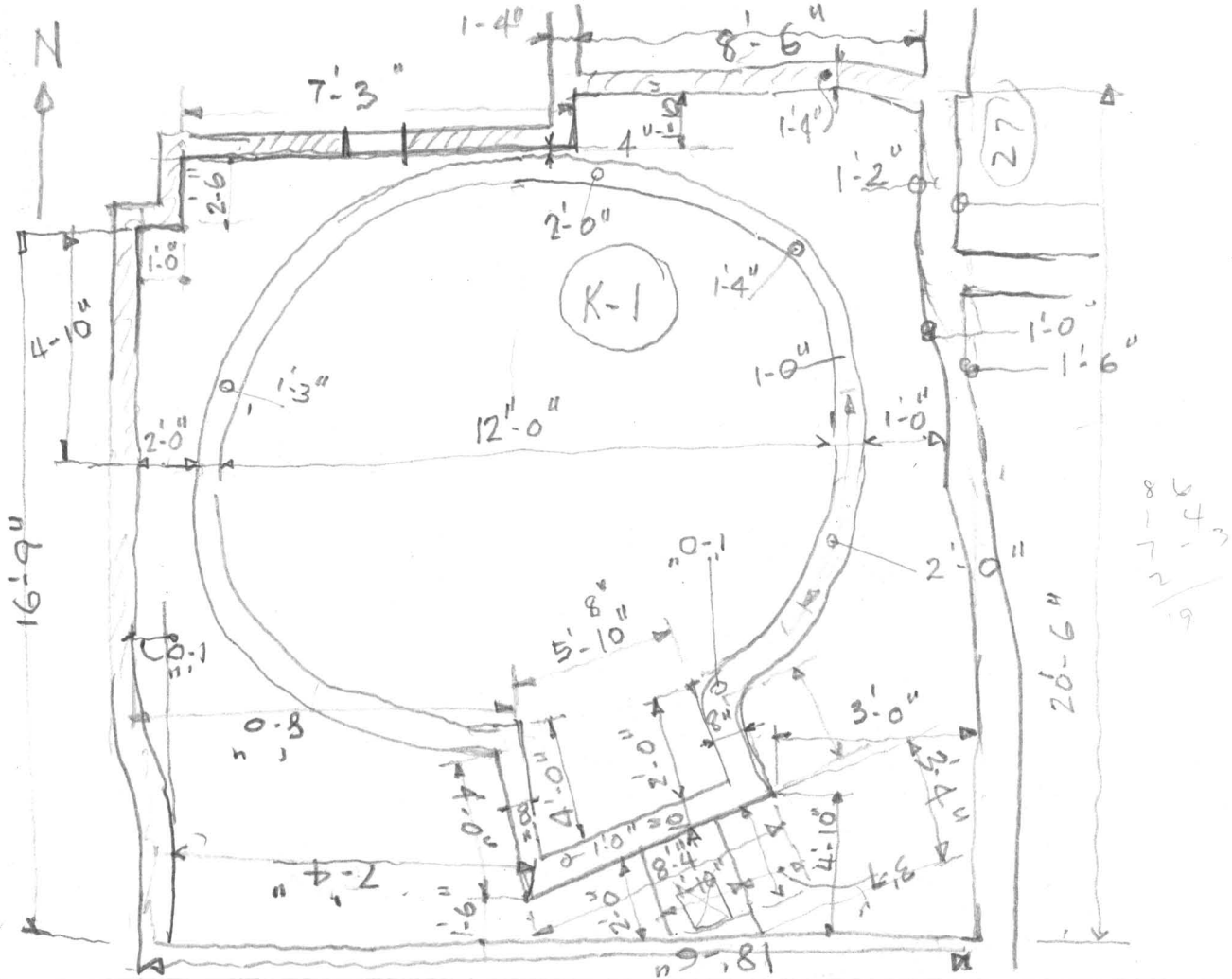
CHACO CULTURE NHP ARCHITECTURE RECORDING FORM  
Wall Construction - page 1

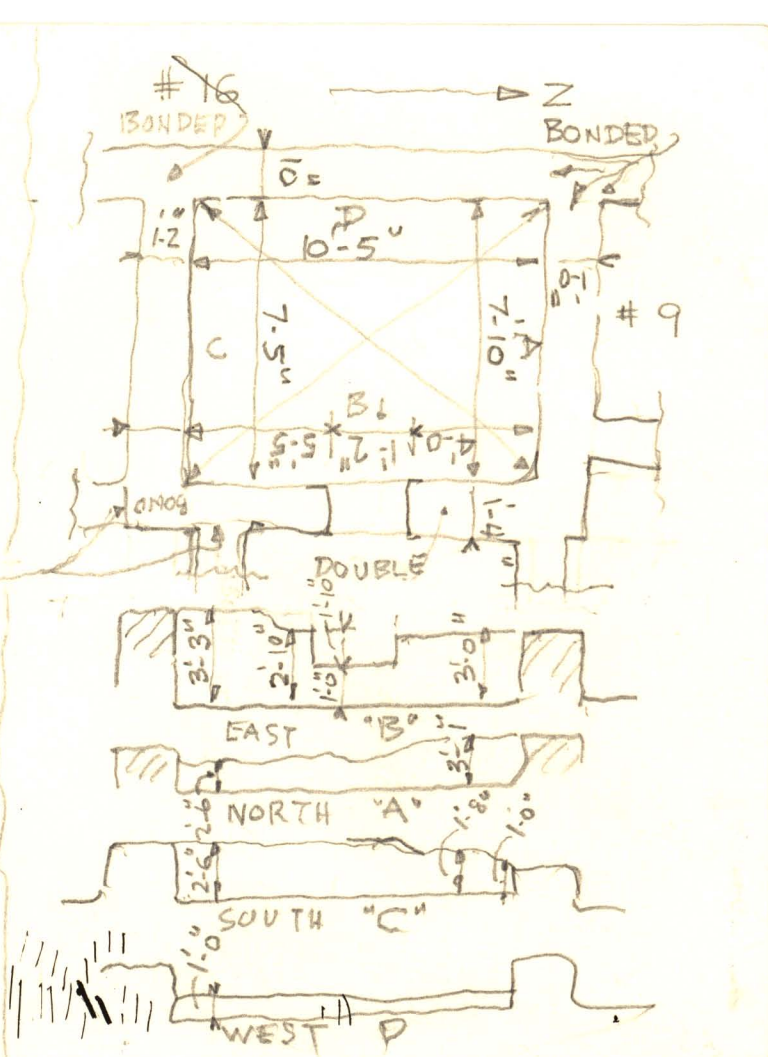
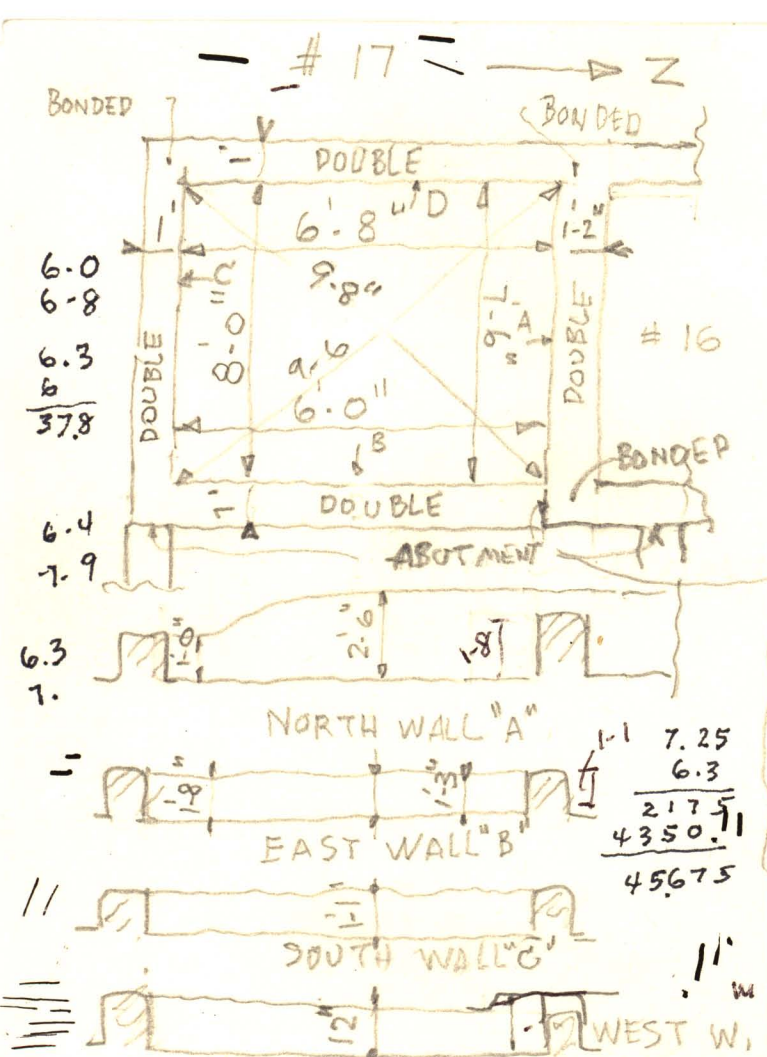
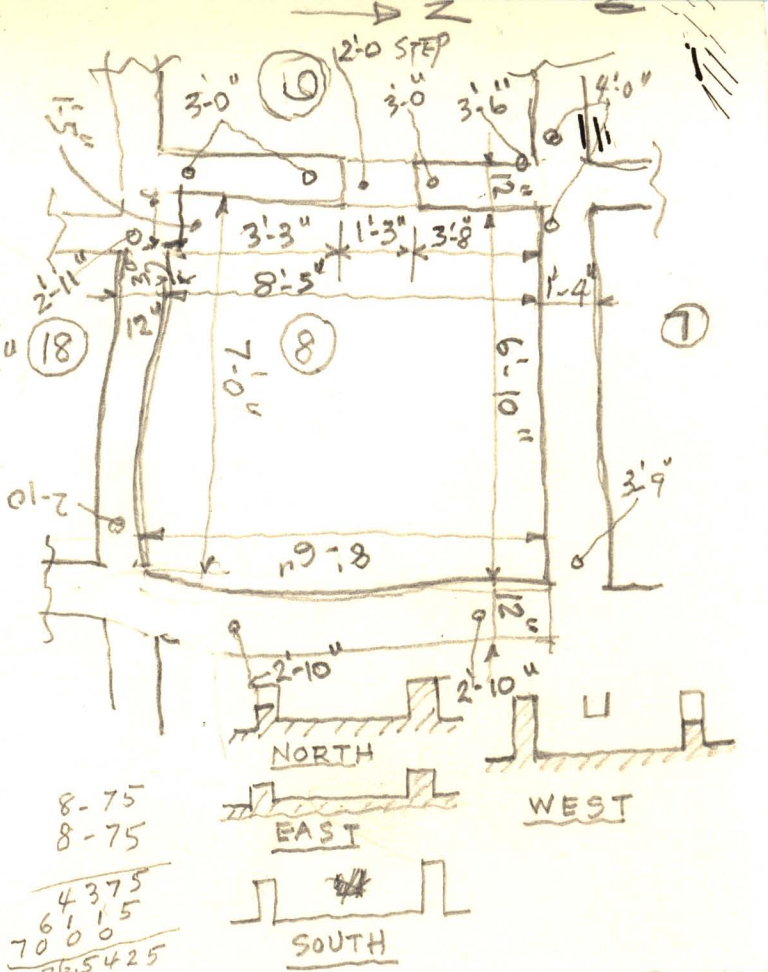
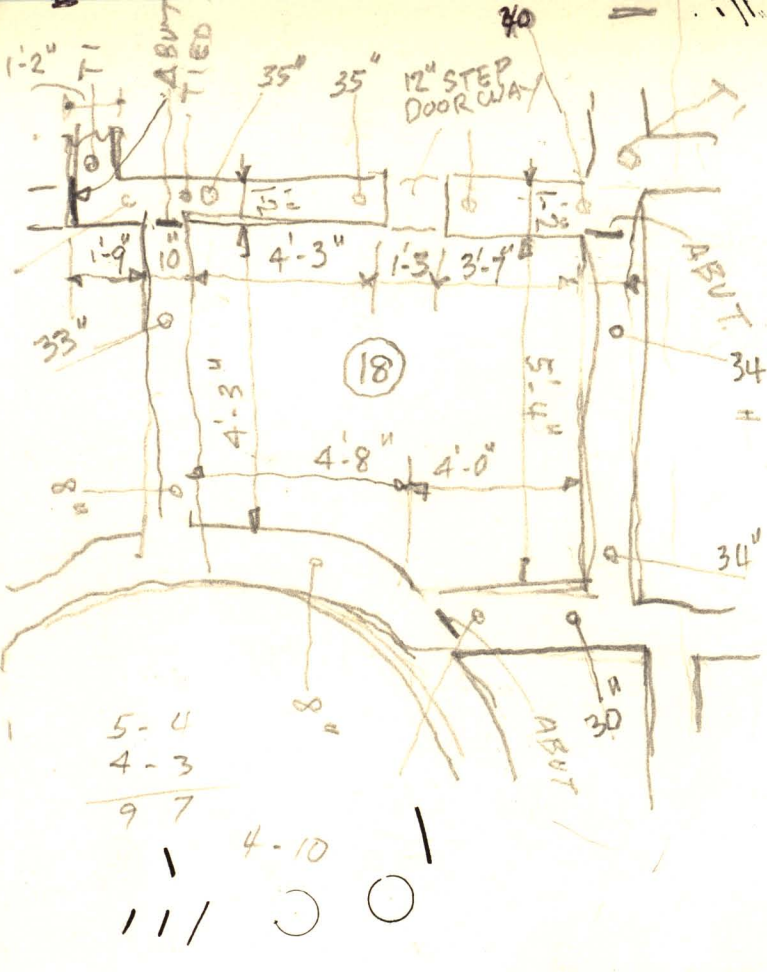
Site Name/Number BC-50 Recorder \_\_\_\_\_ Date \_\_\_\_\_  
Room Number K-3 Story I Roll \_\_\_\_\_ Frame \_\_\_\_\_ Neg # \_\_\_\_\_

	North		East		South		West	
	Int.	Ext.	Int.	Ext.	Int.	Ext.	Int.	Ext.
Masonry Type:								
Sandstone, hard/dark								
Sandstone, soft/light								
Other								
Shape:								
Tabular								
Blocky								
Flagged								
Other - RANDOM RUBBLE								
Shaping:								
Pecked								
Ground								
Flaked								
Undressed								
Element Size, primary:								
Average Length								
Average Width HEIGHT								
Average Thickness DEPTH								
Munsell color(s):								
# Courses / Vert. meter								
Masonry Type:								
Type I - RANDOM RUBBLE								
Type II								
Type III-IV								
"McElmo"								
Vertical Slab								
Jacal/adobe								
Cross Section								
Single Stone								
Double Stone								
Compound								
Double w/ Rubble Core								
Compound w/ Rubble Core								
Wood Reinforcements:								
Vertical Uprights								
Horizontal, Single								
Horizontal, Double								
Wall Junctures:								
Right:								
Tied								
Abutment								
Both								
Unknown								
Left:								
Tied								
Abutment								
Both								
Unknown								
Wall Dimensions:								
Length								
Max. Height								
Min. Height								
Average Height								
Thickness								
Diameter								

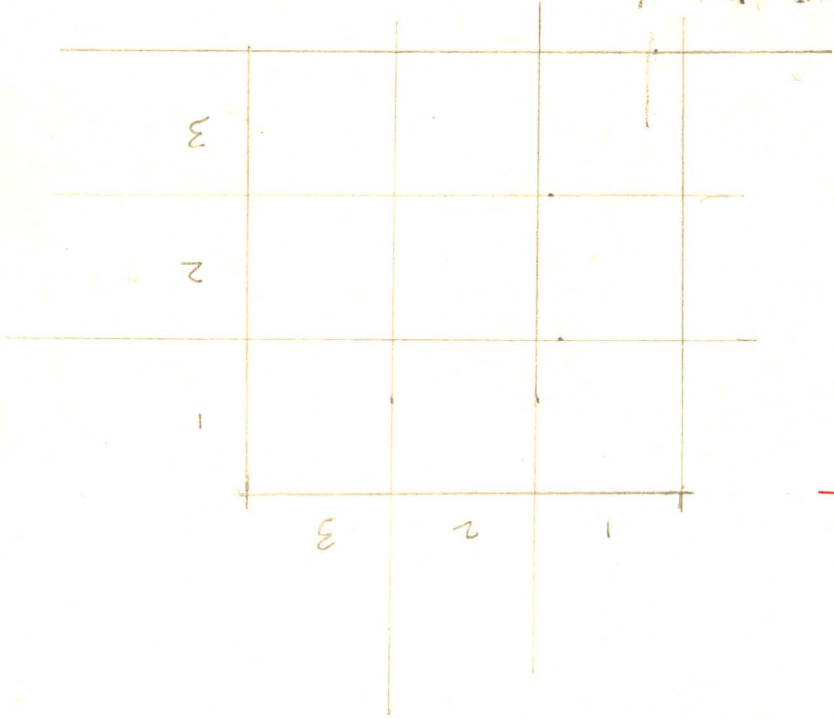
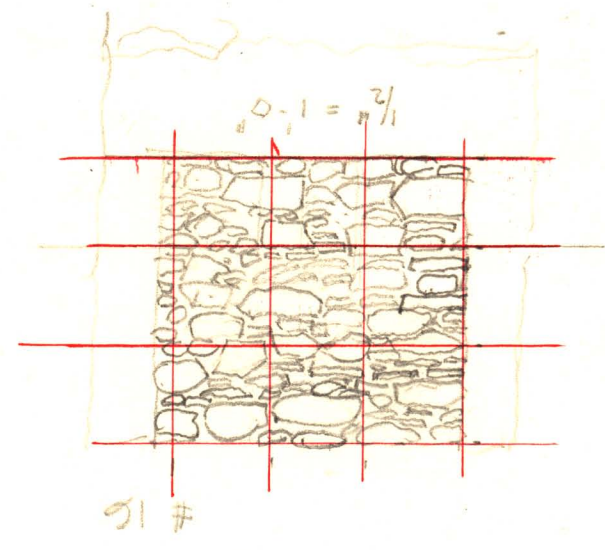
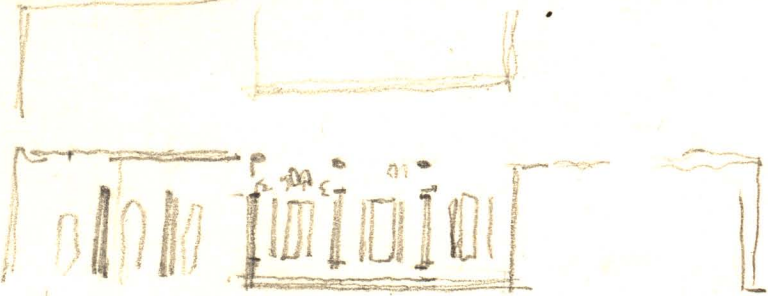
Interior Floor Area \_\_\_\_\_ m N-S \_\_\_\_\_ m E-W = \_\_\_\_\_ Sq meters  
Comments (cont. on back):









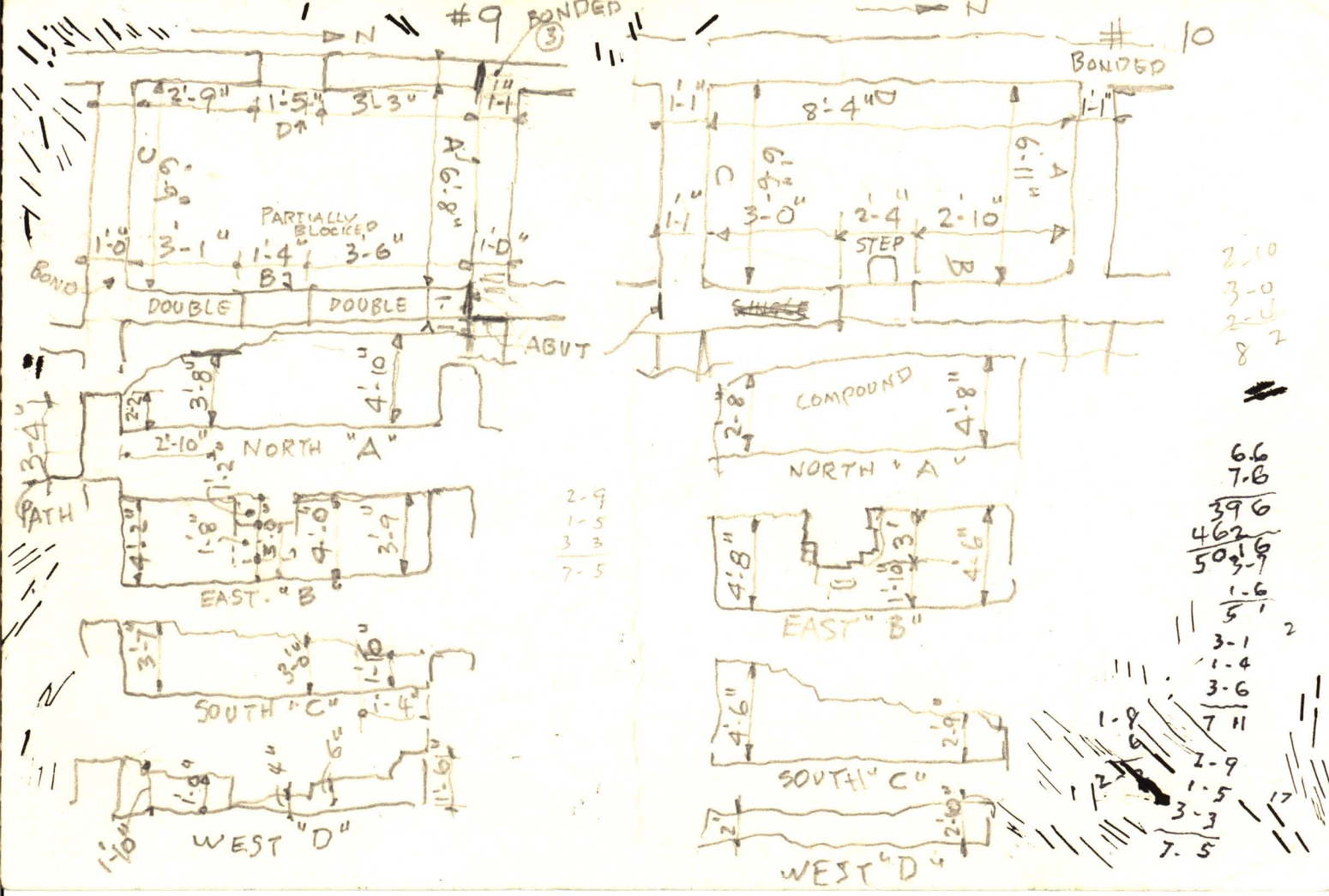


1	✓	comp.	24	✓
2	✓		25	✓
3	✓		26	✓
4	✓		27	✓
5	✓		28	✓
6	✓		29	✓
7	✓			
8	✓			
9	✓			
10	✓			
11	✓			
12	mo			
13	mo			
14	mo?			
15	mo			
16	✓			
17	✓			
18	✓			
19	✓			
20	mo			
21	mo			
22	✓			
23	✓			

KIVA



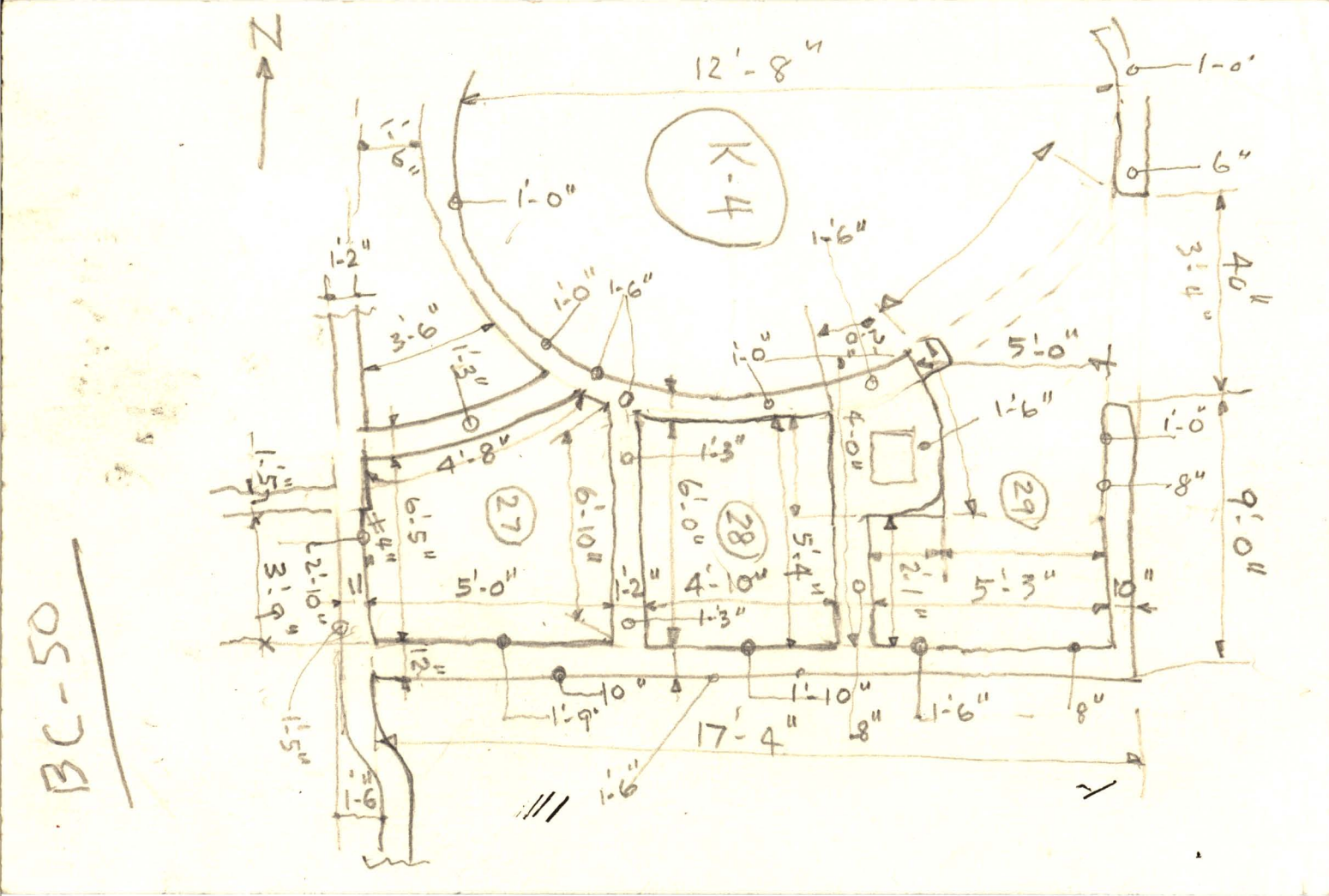




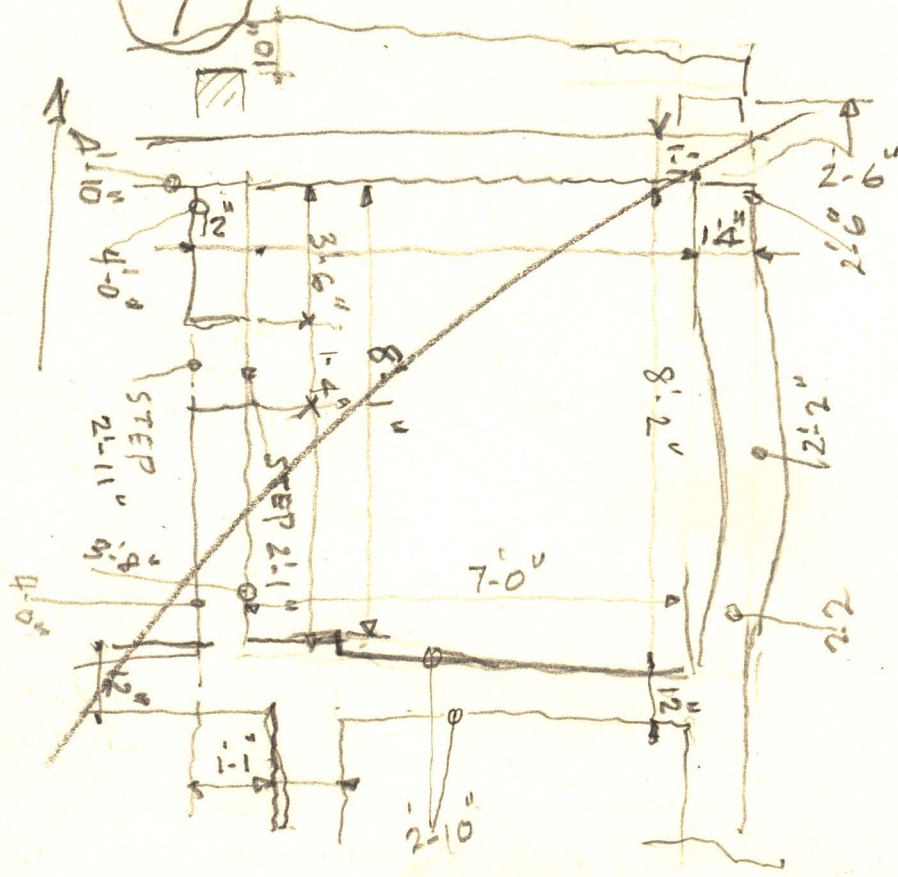
2-9  
1-5  
3-3  
7-5

2-10  
3-0  
2-4  
8-2

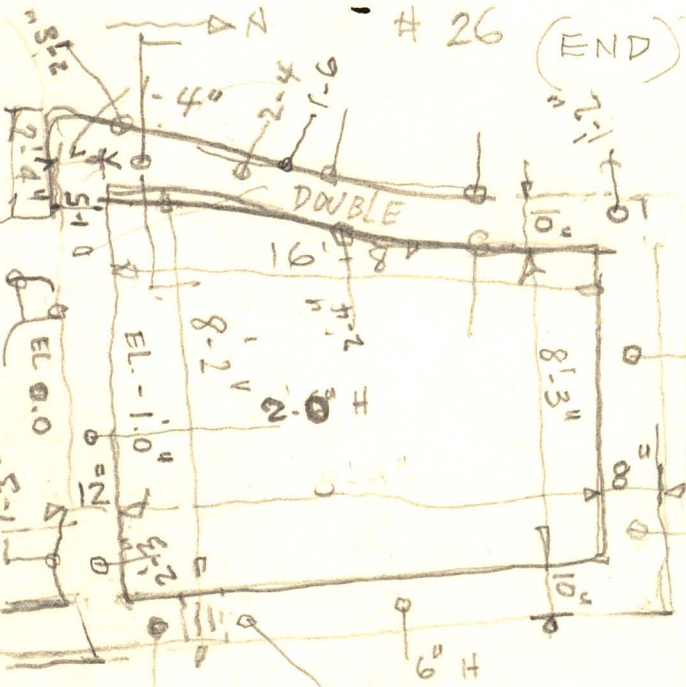
66  
7.8  
396  
462  
503.9  
1.6  
5.1  
3-1  
1-4  
3-6  
7-11  
2-9  
1-5  
3-3  
7-5



# 7

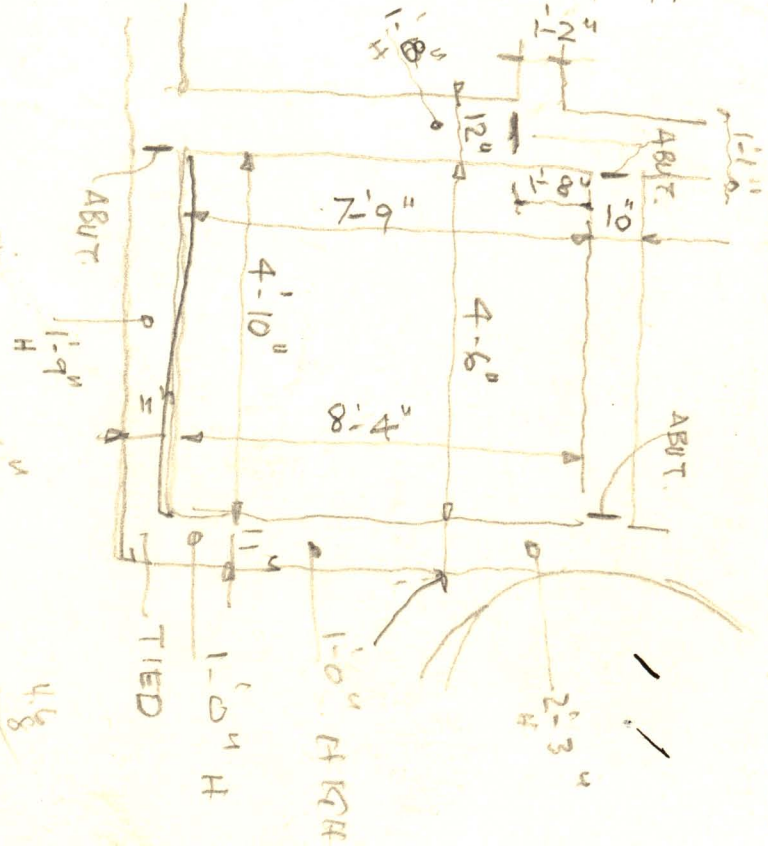


# 26 (END)



16.75  
8.25  
8.50  
3.75  
3.75  
13.40  
13.81  
R

# 19  
TO RIGHT OF 17



4.8  
3.8  
3.8





CHACO CULTURE NHP ARCHITECTURE RECORDING FORM  
 Wall Construction - page 1

Site Name/Number BC-50 Recorder \_\_\_\_\_ Date \_\_\_\_\_  
 Room Number 27-28-29 Story \_\_\_\_\_ Roll \_\_\_\_\_ Frame \_\_\_\_\_ Neg # \_\_\_\_\_

	North		East		South		West	
	Int.	Ext.	Int.	Ext.	Int.	Ext.	Int.	Ext.
Masonry Type:								
Sandstone, hard/dark								
Sandstone, soft/light								
Other								
Shape:								
Tabular								
Blocky								
Flagged								
Other <u>RANDOM RUBBLE</u>								
Shaping:								
Pecked								
Ground								
Flaked								
Undressed								
Element Size, primary:								
Average Length								
Average Width <u>HEIGHT</u>								
Average Thickness <u>DEPTH</u>								
Munsell color(s):								
# Courses / Vert. meter								
Masonry Type:								
Type I <u>RANDOM RUBBLE</u>								
Type II								
Type III-IV								
'McElmo'								
Vertical Slab								
Jacal/adobe								
Cross Section								
Single Stone								
Double Stone								
Compound								
Double w/ Rubble Core								
Compound w/ Rubble Core								
Wood Reinforcements:								
Vertical Uprights								
Horizontal, Single								
Horizontal, Double								
Wall Junctures:								
Right: Tied								
Abutment								
Both								
Unknown								
Left: Tied								
Abutment								
Both								
Unknown								
Wall Dimensions:								
Length								
Max. Height								
Min. Height								
Average Height								
Thickness								
Diameter								

Interior Floor Area \_\_\_\_\_ m N-S \_\_\_\_\_ m E-W = \_\_\_\_\_ Sq meters

Comments (cont. on back):

ROOM

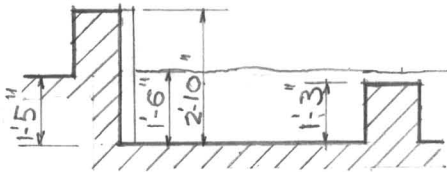
(27)

ROOM

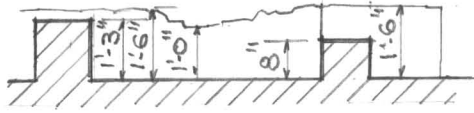
(28)

ROOM

(29)

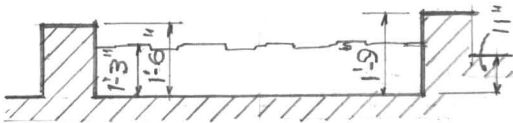


NORTH WALL

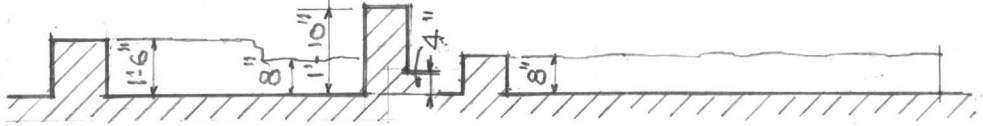


NORTH WALL

OPEN

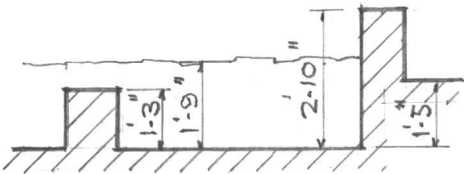


EAST WALL

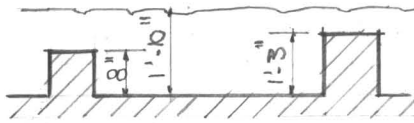


EAST WALL

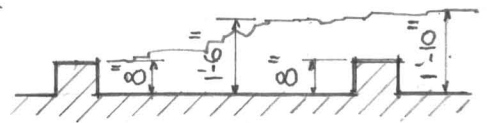
EAST WALL



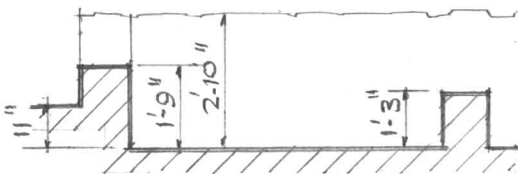
SOUTH WALL



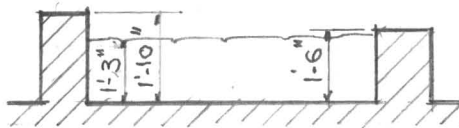
SOUTH WALL



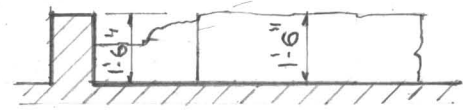
SOUTH WALL



WEST WALL



WEST WALL



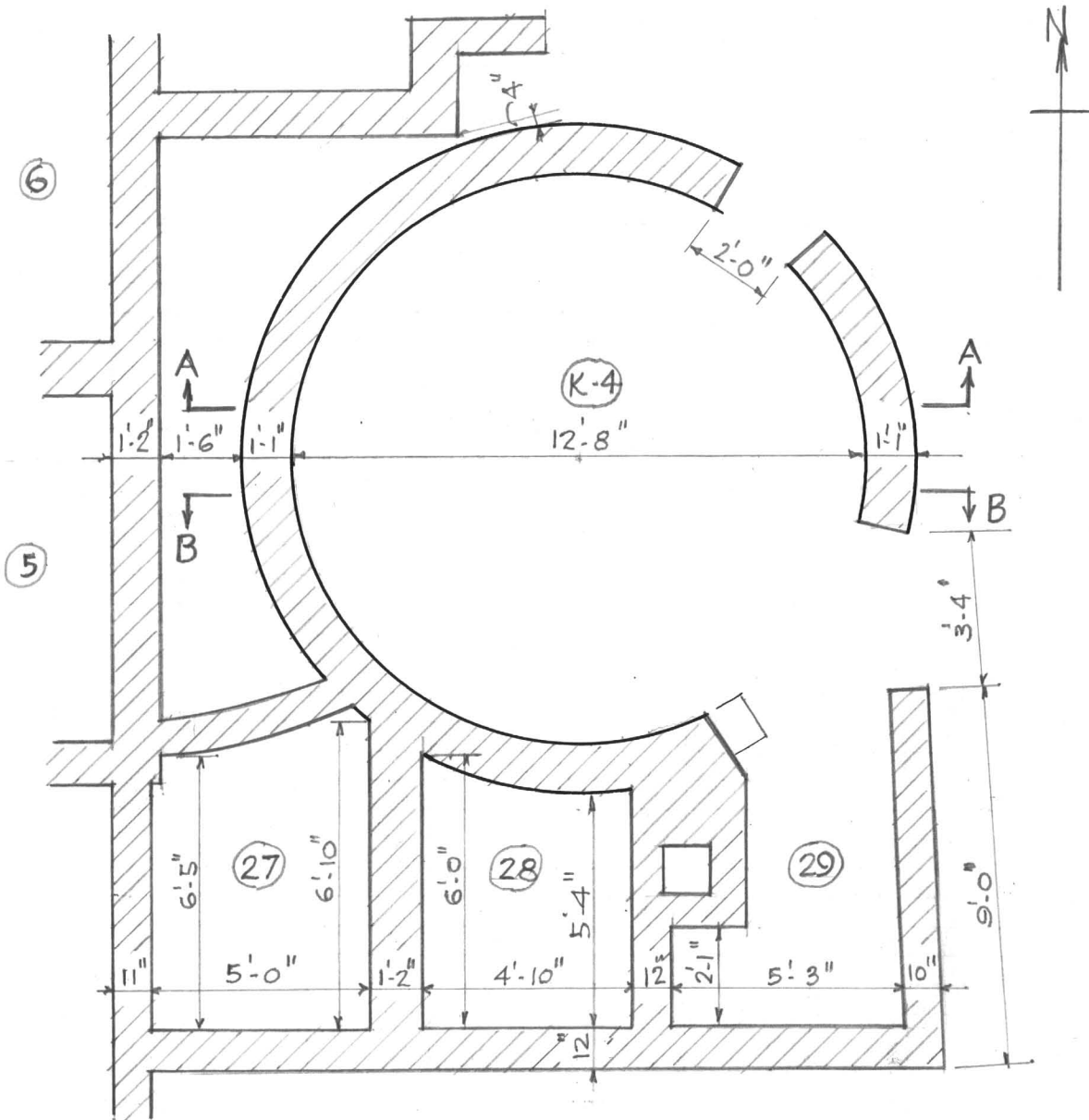
WEST WALL

CHACO CULTURE NHP ARCHITECTURE RECORDING FORM  
 Wall Construction - page 1

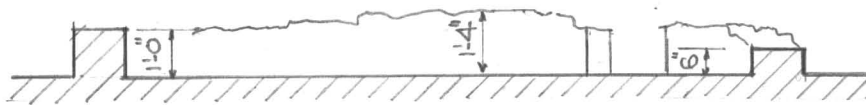
Site Name/Number BC-50 Recorder \_\_\_\_\_ Date \_\_\_\_\_  
 Room Number K-4 Story 1 Roll \_\_\_\_\_ Frame \_\_\_\_\_ Neg # \_\_\_\_\_

	North		East		South		West	
	Int.	Ext.	Int.	Ext.	Int.	Ext.	Int.	Ext.
Masonry Type:								
Sandstone, hard/dark								
Sandstone, soft/light								
Other								
Shape:								
Tabular								
Blocky								
Flagged								
Other- <u>RANDOM RUBBLE</u>								
Shaping:								
Pecked								
Ground								
Flaked								
Undressed								
Element Size, primary:								
Average Length								
Average Width HEIGHT								
Average Thickness DEPTH								
Munsell color(s):								
# Courses / Vert. meter								
Masonry Type:								
Type I- <u>RANDOM RUBBLE</u>								
Type II								
Type III-IV								
"McElmo"								
Vertical Slab								
Jacal/adobe								
Cross Section								
Single Stone								
Double Stone								
Compound								
Double w/ Rubble Core								
Compound w/ Rubble Core								
Wood Reinforcements:								
Vertical Uprights								
Horizontal, Single								
Horizontal, Double								
Wall Junctures:								
Right: Tied								
Abutment								
Both								
Unknown								
Left: Tied								
Abutment								
Both								
Unknown								
Wall Dimensions:								
Length								
Max. Height								
Min. Height								
Average Height								
Thickness								
Diameter								
Interior Floor Area								
				m N-S			m E-W =	Sq meters

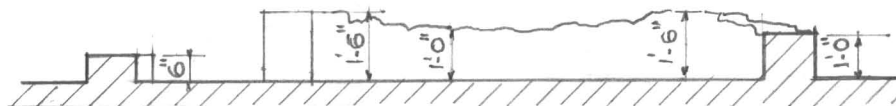
Comments (cont. on back):



PLAN  
 $\frac{1}{4}'' = 1'-0''$



SECTION "A-A"



SECTION "B-B"

NOTES

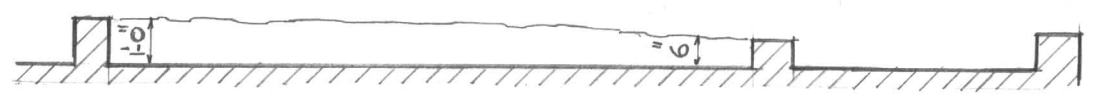
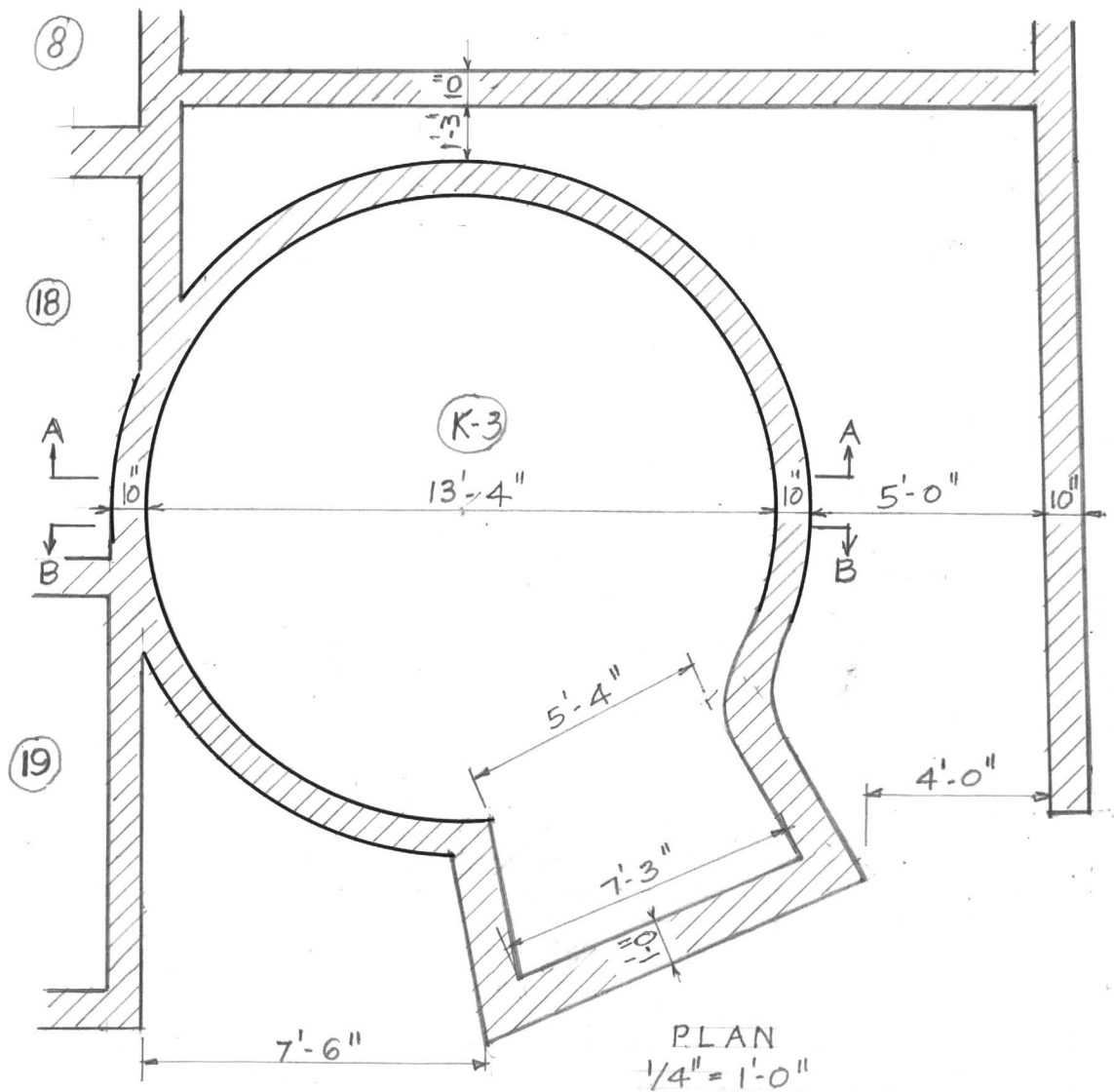
○ = ROOM NUMBER

CHACO CULTURE NHP ARCHITECTURE RECORDING FORM  
Wall Construction - page 1

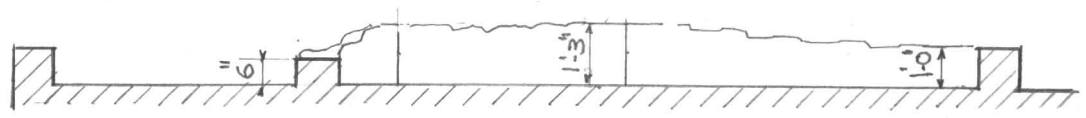
Site Name/Number BC-50 Recorder \_\_\_\_\_ Date \_\_\_\_\_  
Room Number K-3 Story 1 Roll \_\_\_\_\_ Frame \_\_\_\_\_ Neg # \_\_\_\_\_

	North		East		South		West	
	Int.	Ext.	Int.	Ext.	Int.	Ext.	Int.	Ext.
Masonry Type:								
Sandstone, hard/dark								
Sandstone, soft/light								
Other								
Shape:								
Tabular								
Blocky								
Flagged								
Other - RANDOM RUBBLE								
Shaping:								
Pecked								
Ground								
Flaked								
Undressed								
Element Size, primary:								
Average Length								
Average Width HEIGHT								
Average Thickness DEPTH								
Munsell color(s):								
# Courses / Vert. meter								
Masonry Type:								
Type I - RANDOM RUBBLE								
Type II								
Type III-IV								
"McElmo"								
Vertical Slab								
Jacal/adobe								
Cross Section								
Single Stone								
Double Stone								
Compound								
Double w/ Rubble Core								
Compound w/ Rubble Core								
Wood Reinforcements:								
Vertical Uprights								
Horizontal, Single								
Horizontal, Double								
Wall Junctures:								
Right: Tied								
Abutment								
Both								
Unknown								
Left: Tied								
Abutment								
Both								
Unknown								
Wall Dimensions:								
Length								
Max. Height								
Min. Height								
Average Height								
Thickness								
Diameter								
Interior Floor Area								
			m N-S			m E-W =		Sq meters

Comments (cont. on back):



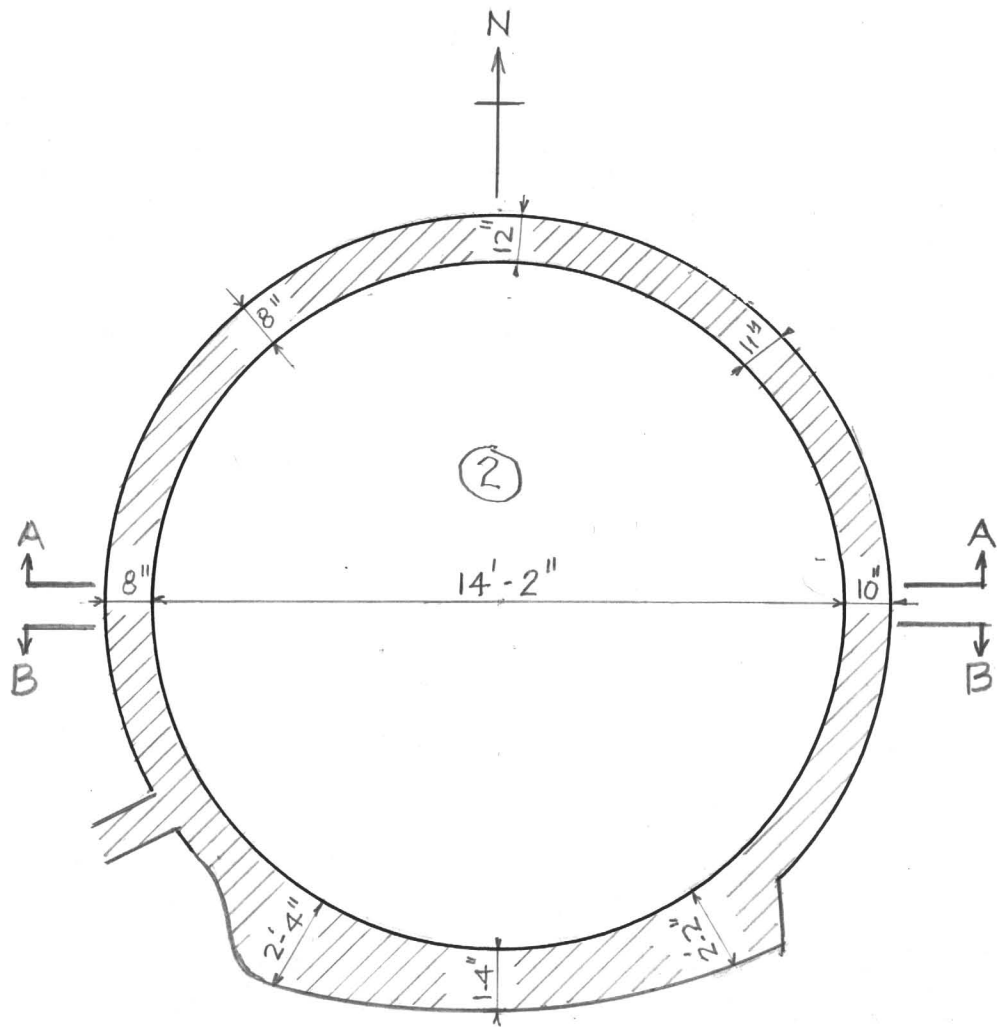
SECTION "A-A"



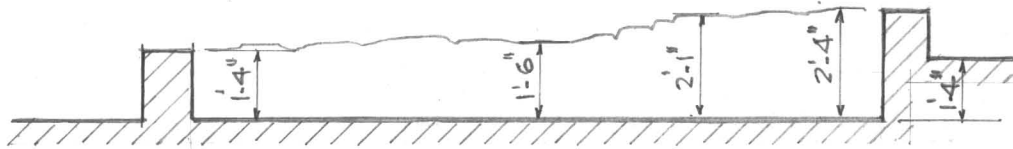
SECTION "B-B"

NOTES  
 O = ROOM NUMBER

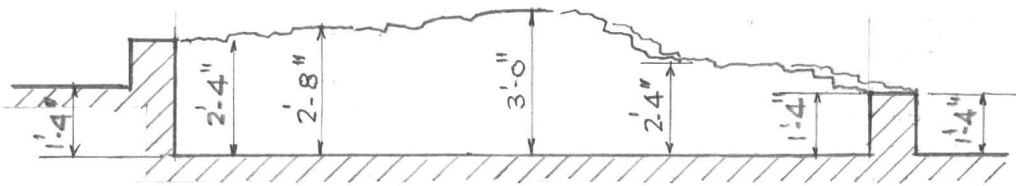




PLAN  
 $1/4" = 1'-0"$



SECTION "A-A"



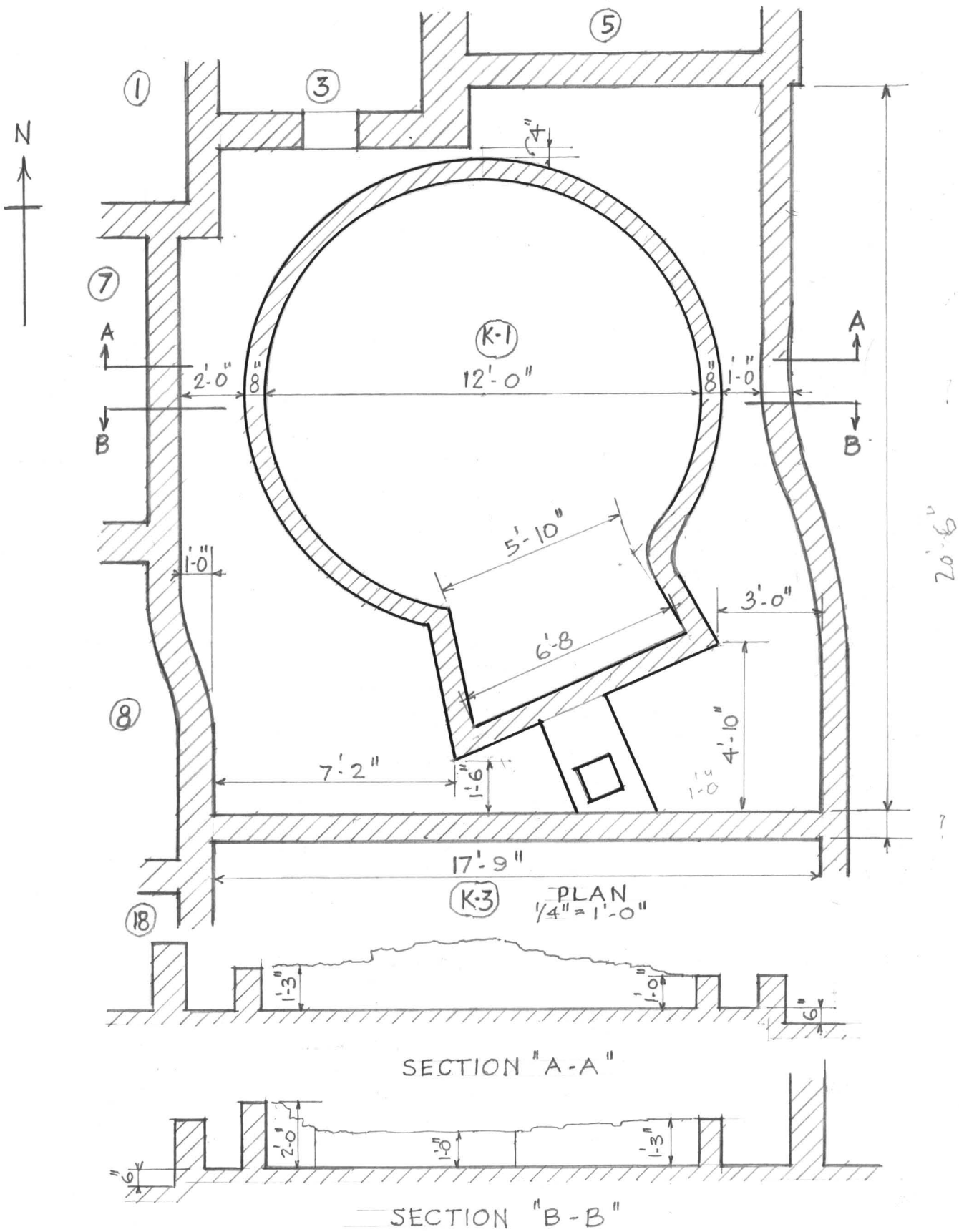
SECTION "B-B"

CHACO CULTURE NHP ARCHITECTURE RECORDING FORM  
 Wall Construction - page 1

Site Name/Number BC-50 Recorder \_\_\_\_\_ Date \_\_\_\_\_  
 Room Number K-1 Story 1 Roll \_\_\_\_\_ Frame \_\_\_\_\_ Neg # \_\_\_\_\_

	North		East		South		West	
	Int.	Ext.	Int.	Ext.	Int.	Ext.	Int.	Ext.
Masonry Type:								
Sandstone, hard/dark								
Sandstone, soft/light								
Other								
Shape:								
Tabular								
Blocky								
Flagged								
Other - RANDOM RUBBLE								
Shaping:								
Pecked								
Ground								
Flaked								
Undressed								
Element Size, primary:								
Average Length								
Average Width HEIGHT								
Average Thickness DEPTH								
Munsell color(s):								
# Courses / Vert. meter								
Masonry Type:								
Type I - RANDOM RUBBLE								
Type II								
Type III-IV								
'McElmo'								
Vertical Slab								
Jacal/adobe								
Cross Section								
Single Stone								
Double Stone								
Compound								
Double w/ Rubble Core								
Compound w/ Rubble Core								
Wood Reinforcements:								
Vertical Uprights								
Horizontal, Single								
Horizontal, Double								
Wall Junctures:								
Right:								
Tied								
Abutment								
Both								
Unknown								
Left:								
Tied								
Abutment								
Both								
Unknown								
Wall Dimensions:								
Length								
Max. Height								
Min. Height								
Average Height								
Thickness								
Diameter								

Interior Floor Area \_\_\_\_\_ m N-S \_\_\_\_\_ m E-W = \_\_\_\_\_ Sq meters  
 Comments (cont. on back): \_\_\_\_\_

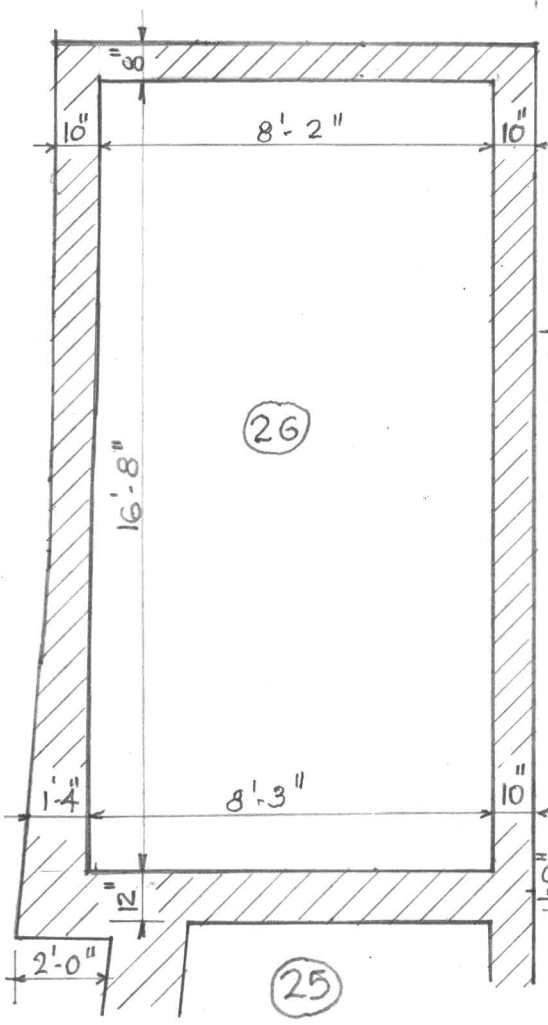


CHACO CULTURE NHP ARCHITECTURE RECORDING FORM  
Wall Construction - page 1

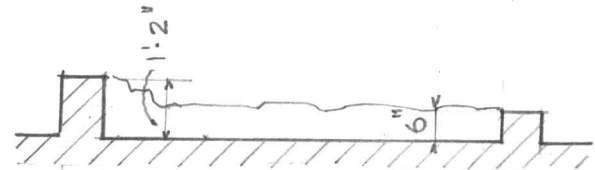
Site Name/Number BC-50 Recorder \_\_\_\_\_ Date \_\_\_\_\_  
Room Number 26 Story I Roll \_\_\_\_\_ Frame \_\_\_\_\_ Neg # \_\_\_\_\_

	North		East		South		West	
	Int.	Ext.	Int.	Ext.	Int.	Ext.	Int.	Ext.
Masonry Type:								
Sandstone, hard/dark								
Sandstone, soft/light								
Other								
Shape:								
Tabular								
Blocky								
Flagged								
Other - RANDOM RUBBLE								
Shaping:								
Pecked								
Ground								
Flaked								
Undressed								
Element Size, primary:								
Average Length								
Average Width HEIGHT								
Average Thickness DEPTH								
Munsell color(s):								
# Courses / Vert. meter								
Masonry Type:								
Type I RANDOM RUBBLE								
Type II								
Type III-IV								
"McElmo"								
Vertical Slab								
Jacal/adobe								
Cross Section								
Single Stone								
Double Stone								
Compound								
Double w/ Rubble Core								
Compound w/ Rubble Core								
Wood Reinforcements:								
Vertical Uprights								
Horizontal, Single								
Horizontal, Double								
Wall Junctures:								
Right: Tied								
Abutment								
Both								
Unknown								
Left: Tied								
Abutment								
Both								
Unknown								
Wall Dimensions:								
Length		8'-2"		16'-8"		8'-3"		16'-8"
Max. Height		1'-2"		2'-0"		2'-6"		2'-6"
Min. Height		6"		6"		2'-0"		6"
Average Height		10"		1'-3"		2'-3"		1'-6"
Thickness		8"		10"		12"		10"
Diameter								

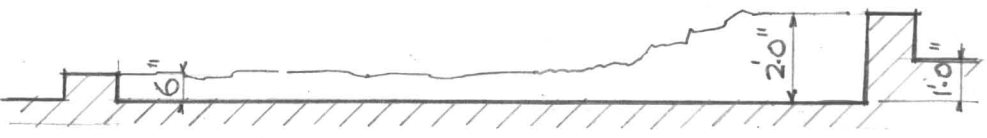
Interior Floor Area 16'-8" m N-S 8'-2" m E-W = 138 Sq meter = FT.  
Comments (cont. on back):



PLAN  
 $\frac{1}{4} = 1'-0''$



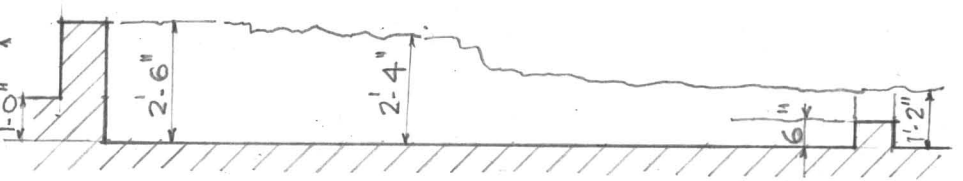
NORTH WALL



EAST WALL



SOUTH WALL



WEST WALL

NOTES

- WALL JUNCTURE
- A = ABUTMENT
- T = TIED
- B = BOTH
- U = UNKNOWN

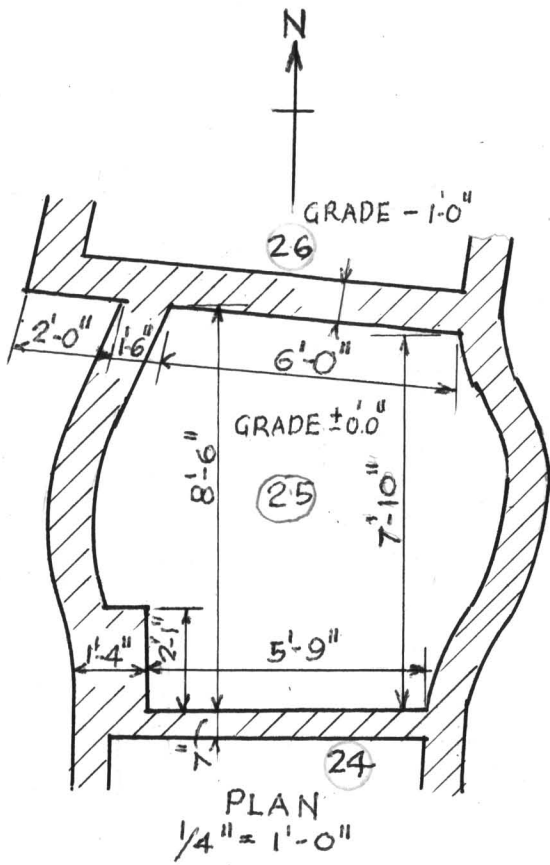
○ = ROOM NUMBER

CHACO CULTURE NHP ARCHITECTURE RECORDING FORM  
Wall Construction - page 1

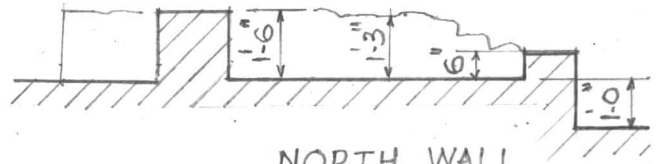
Site Name/Number **BC-50** Recorder \_\_\_\_\_ Date \_\_\_\_\_  
Room Number **25** Story \_\_\_\_\_ Roll \_\_\_\_\_ Frame \_\_\_\_\_ Neg # \_\_\_\_\_

	North		East		South		West	
	Int.	Ext.	Int.	Ext.	Int.	Ext.	Int.	Ext.
Masonry Type:								
Sandstone, hard/dark								
Sandstone, soft/light								
Other								
Shape:								
Tabular								
Blocky								
Flagged								
Other-RANDOM RUBBLE								
Shaping:								
Pecked								
Ground								
Flaked								
Undressed								
Element Size, primary:								
Average Length								
Average Width HEIGHT								
Average Thickness DEPTH								
Munsell color(s):								
# Courses / Vert. meter								
Masonry Type:								
Type I - RANDOM RUBBLE								
Type II								
Type III-IV								
"McElmo"								
Vertical Slab								
Jacal/adobe								
Cross Section								
Single Stone				X	X			
Double Stone								X
Compound								
Double w/ Rubble Core								
Compound w/ Rubble Core								
Wood Reinforcements:								
Vertical Uprights								
Horizontal, Single								
Horizontal, Double								
Wall Junctures:								
Right: Tied								
Abutment								
Both								
Unknown								
Left: Tied								
Abutment								
Both								
Unknown								
Wall Dimensions:								
Length	6'-0"			7'-10"	5'-9"			8'-6"
Max. Height	1'-6"			6"	6"			1'-6"
Min. Height	1'-3"			6"	6"			1'-0"
Average Height	1'-4"			6"	6"			1'-3"
Thickness	7"			7"	7"			1'-6"
Diameter								
Interior Floor Area	8'-2"	# N-S	6'-3"	# E-W =	51.5	Sq meter		PT.

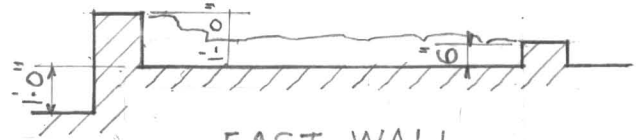
Comments (cont. on back):



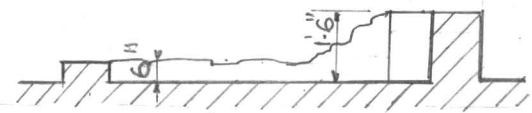
PLAN  
 $\frac{1}{4}'' = 1'-0''$



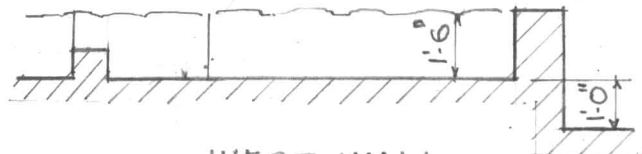
NORTH WALL



EAST WALL



SOUTH WALL



WEST WALL

NOTES

WALL JUNCTURE

A = ABUTMENT

T = TIED

B = BOTH

U = UNKNOWN

○ = ROOM NUMBER

CHACO CULTURE NHP ARCHITECTURE RECORDING FORM  
Wall Construction - page 1

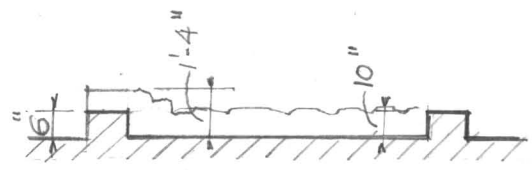
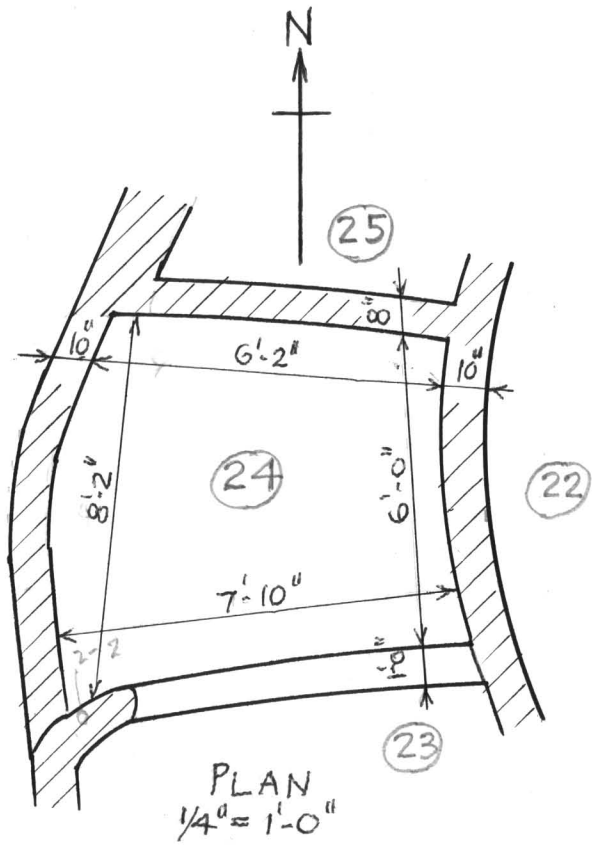
Site Name/Number BC-50 Recorder \_\_\_\_\_ Date \_\_\_\_\_  
Room Number 24 Story I Roll \_\_\_\_\_ Frame \_\_\_\_\_ Neg # \_\_\_\_\_

	North		East		South		West	
	Int.	Ext.	Int.	Ext.	Int.	Ext.	Int.	Ext.
Masonry Type:								
Sandstone, hard/dark								
Sandstone, soft/light								
Other								
Shape:								
Tabular								
Blocky								
Flagged								
Other: <u>RANDOM RUBBLE</u>								
Shaping:								
Pecked								
Ground								
Flaked								
Undressed								
Element Size, primary:								
Average Length								
Average Width <u>HEIGHT</u>								
Average Thickness <u>DEPTH</u>								
Munsell color(s):								
# Courses / Vert. meter								
Masonry Type:								
Type I <u>RANDOM RUBBLE</u>								
Type II								
Type III-IV								
'McElmo'								
Vertical Slab								
Jacal/adobe								
Cross Section								
Single Stone	X				X			
Double Stone			X					X
Compound								
Double w/ Rubble Core								
Compound w/ Rubble Core								
Wood Reinforcements:								
Vertical Uprights								
Horizontal, Single								
Horizontal, Double								
Wall Junctures:								
Right: Tied								
Abutment								
Both								
Unknown								
Left: Tied								
Abutment								
Both								
Unknown								
Wall Dimensions:								
Length	6'-2"			6'-0"	7'-0"			8'-2"
Max. Height	6"			6"	-			
Min. Height	6"			6"	-			
Average Height	6"			6"	-			
Thickness	7"			10"	-			
Diameter								

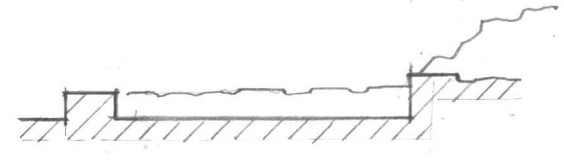
Interior Floor Area 7'-0"  $\pi$  N-S 7'-0"  $\pi$  E-W = 49 Sq meters

Comments (cont. on back):

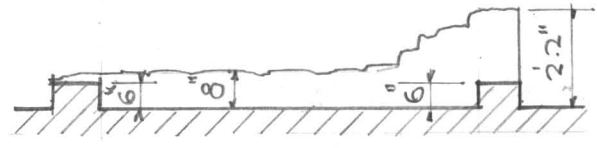
FT.



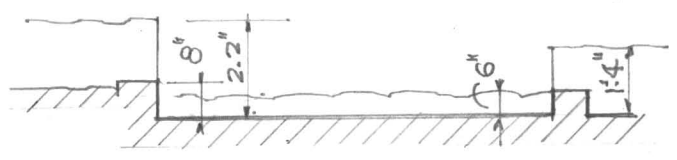
NORTH WALL



EAST WALL



SOUTH WALL



WEST WALL

NOTES

WALL JUNCTURE

A = ABUTMENT

T = TIED

B = BOTH

U = UNKNOWN

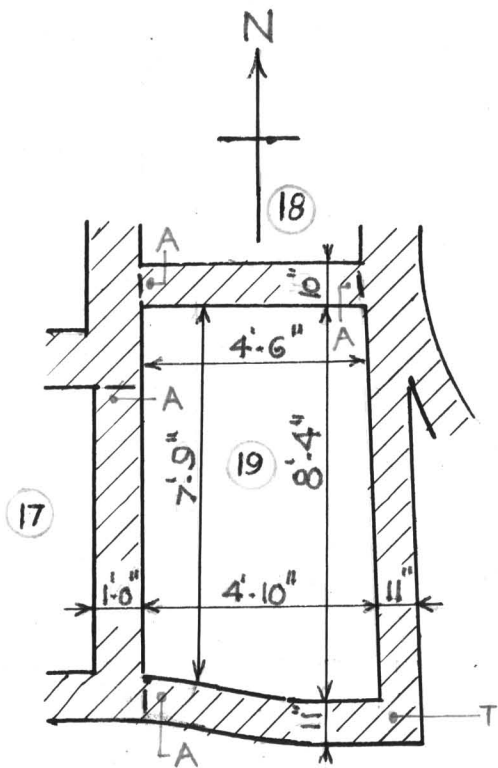
○ = ROOM NUMBER

CHACO CULTURE NHP ARCHITECTURE RECORDING FORM  
Wall Construction - page 1

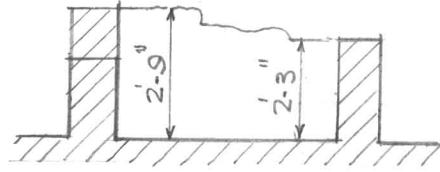
Site Name/Number Room Number	BC - 50 23	Story 1	Recorder Roll				Date Neg #			
			North		East		South		West	
			Int.	Ext.	Int.	Ext.	Int.	Ext.	Int.	Ext.
Masonry Type:										
Sandstone, hard/dark										
Sandstone, soft/light			X		X		X			X
Other										
Shape:										
Tabular										
Blocky										
Flagged										
Other RANDOM RUBBLE										
Shaping:										
Pecked										
Ground										
Flaked										
Undressed			X		X		X			X
Element Size, primary:										
Average Length										
Average Width HEIGHT										
Average Thickness DEPTH										
Munsell color(s):										
# Courses / Vert. meter			-		8		10		-	
Masonry Type:										
Type I RANDOM RUBBLE										
Type II										
Type III-IV										
"McElmo"										
Vertical Slab										
Jacal/adobe										
Cross Section										
Single Stone										
Double Stone			X		X		X			
Compound										
Double w/ Rubble Core										
Compound w/ Rubble Core										
Wood Reinforcements:										
Vertical Uprights										
Horizontal, Single										
Horizontal, Double										
Wall Junctures:										
Right: Tied										
Abutment										
Both										
Unknown										
Left: Tied										
Abutment										
Both										
Unknown										
Wall Dimensions:										
Length			6'-8"		13'-0"		7'-4"			13'-0"
Max. Height			-		5'-0"		3'-10"			1'-10"
Min. Height			-		1'-8"		2'-10"			1'-10"
Average Height			-		3'-4"		3'-4"			1'-10"
Thickness			-		11"		1'-2"			1'-0"
Diameter										
Interior Floor Area			7'-9"	# N-S	13'-0"	# E-W	= 101	Sq	mete	FT.
Comments (cont. on back):										



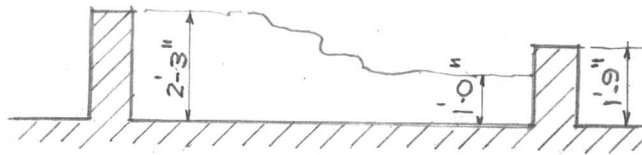




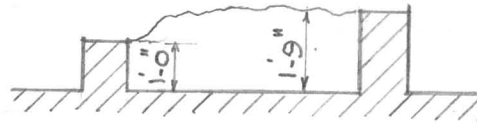
PLAN  
1/4" = 1'-0"



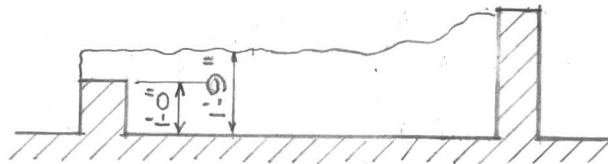
NORTH WALL



EAST WALL



SOUTH WALL



WEST WALL

NOTES

WALL JUNCTURES

A = ABUTMENT

T = TIED

B = BOTH

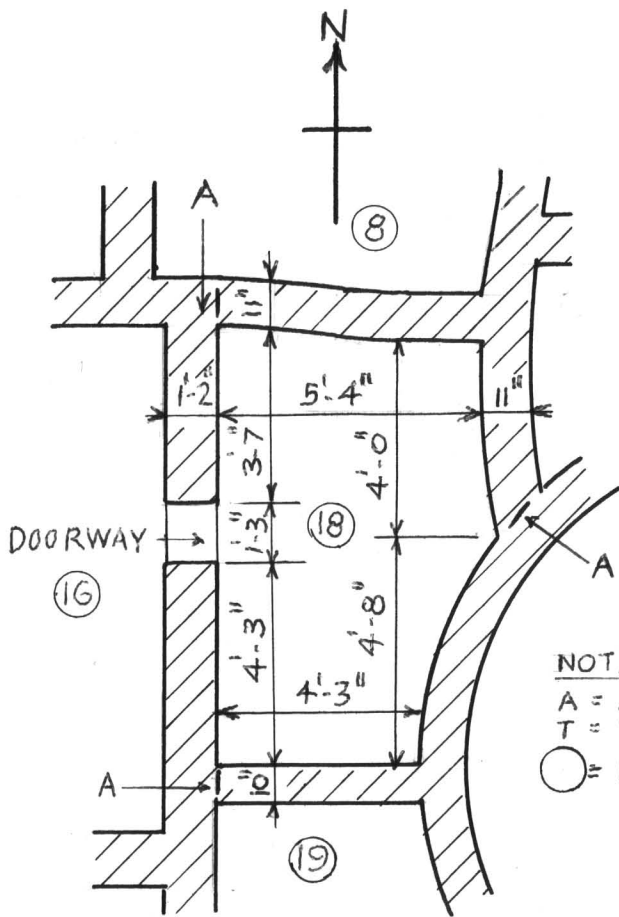
U = UNKNOWN

○ = ROOM NUMBER

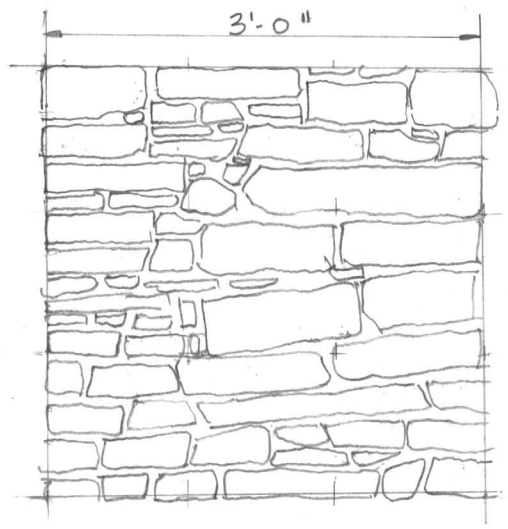
CHACO CULTURE NHP ARCHITECTURE RECORDING FORM  
Wall Construction - page 1

Site Name/Number Room Number	BC-50 18	Story 1	Recorder		Frame	Date				
			Roll	Neg #						
			North		East		South		West	
			Int.	Ext.	Int.	Ext.	Int.	Ext.	Int.	Ext.
Masonry Type:										
Sandstone, hard/dark										
Sandstone, soft/light										
Other										
Shape:										
Tabular										
Blocky										
Flagged										
Other-RANDOM RUBBLE										
Shaping:										
Pecked										
Ground										
Flaked										
Undressed										
Element Size, primary:										
Average Length										
Average Width										
Average Thickness										
Munsell color(s):										
# Courses / Vert. meter									9	
Masonry Type:										
Type I - RANDOM RUBBLE										
Type II										
Type III-IV										
'McElmo'										
Vertical Slab										
Jacal/adobe										
Cross Section										
Single Stone										
Double Stone			X		X		X		X	
Compound										
Double w/ Rubble Core										
Compound w/ Rubble Core										
Wood Reinforcements:										
Vertical Uprights										
Horizontal, Single										
Horizontal, Double										
Wall Junctures:										
Right: Tied										
Abutment							X			
Both										
Unknown										
Left: Tied										
Abutment			X							
Both										
Unknown										
Wall Dimensions:										
Length			5'-4"		8'-8"		4'-3"		8'-10"	
Max. Height			2'-10"		2'-6"		2'-9"		3'-4"	
Min. Height			2'-10"		8"		8"		8"	
Average Height			2'-10"		1'-7"		1'-8"		2'-0"	
Thickness			11"		11"		10"		10"	
Diameter										
Interior Floor Area			8'-9"	# N-S	4'-10"	# E-W =	76.5	Sq meter		
Comments (cont. on back):										

FT.

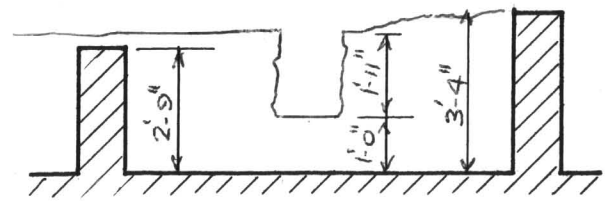


PLAN  
 $\frac{1}{4}'' = 1'-0''$   
 3'-0''

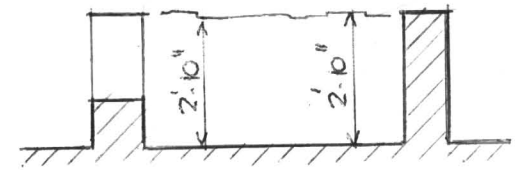


TYPICAL STONE WORK  
 WEST WALL  
 SCALE  $\frac{3}{4}'' = 1'-0''$

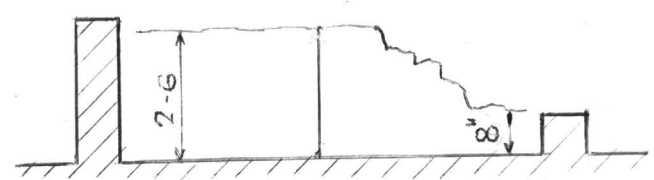
NOTES  
 A = ABUTMENT  
 T = TIED  
 ○ = ROOM NUMBER



WEST WALL



NORTH WALL



EAST WALL



SOUTH WALL

CHACO CULTURE NHP ARCHITECTURE RECORDING FORM  
Wall Construction - page 1

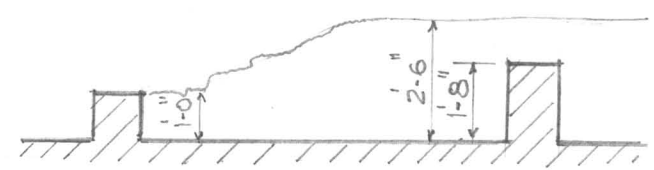
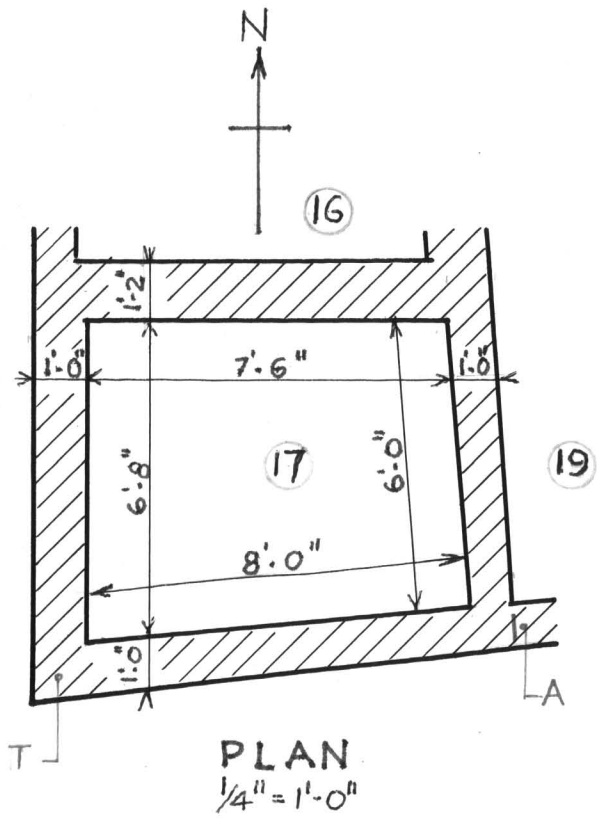
Site Name/Number **BC-50** Recorder \_\_\_\_\_ Date \_\_\_\_\_  
 Room Number **17** Story **1** Roll \_\_\_\_\_ Frame \_\_\_\_\_ Neg # \_\_\_\_\_

	North		East		South		West	
	Int.	Ext.	Int.	Ext.	Int.	Ext.	Int.	Ext.
Masonry Type:								
Sandstone, hard/dark								
Sandstone, soft/light								
Other								
Shape:								
Tabular								
Blocky								
Flagged								
Other-RANDOM RUBBLE								
Shaping:								
Pecked								
Ground								
Flaked								
Undressed								
Element Size, primary:								
Average Length								
Average Width HEIGHT								
Average Thickness DEPTH								
Munsell color(s):								
# Courses / Vert. meter								
Masonry Type:								
Type I- RANDOM RUBBLE								
Type II								
Type III-IV								
"McElmo"								
Vertical Slab								
Jacal/adobe								
Cross Section								
Single Stone								
Double Stone	X		X		X		X	
Compound								
Double w/ Rubble Core								
Compound w/ Rubble Core								
Wood Reinforcements:								
Vertical Uprights								
Horizontal, Single								
Horizontal, Double								
Wall Junctures:								
Right: Tied								
Abutment								
Both								
Unknown								
Left: Tied								
Abutment								
Both								
Unknown								
Wall Dimensions:								
Length	7'-6"		6'-0"		8'-0"		6'-8"	
Max. Height	2'-6"		1'-8"		1'-1"		1'-0"	
Min. Height	1'-0"		1'-3"		1'-1"		1'-0"	
Average Height	1'-9"		1'-5"		1'-1"		1'-0"	
Thickness	1'-2"		1'-0"		1'-0"		1'-0"	
Diameter								

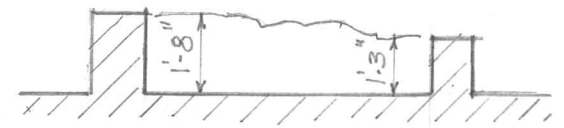
Interior Floor Area **6'-4"** m N-S - **7'-9"** - m E-W = **48.8** Sq m = **525** Sq FT.

Comments (cont. on back):

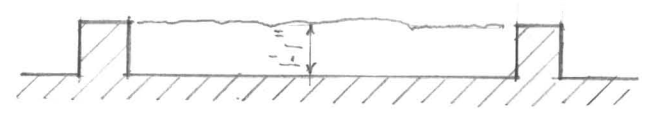
FT.



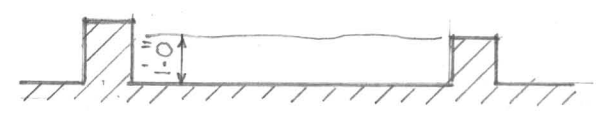
NORTH WALL



EAST WALL



SOUTH WALL



WEST WALL

NOTES :

WALL JUNCTURES

A = ABUTMENT

T = TIED

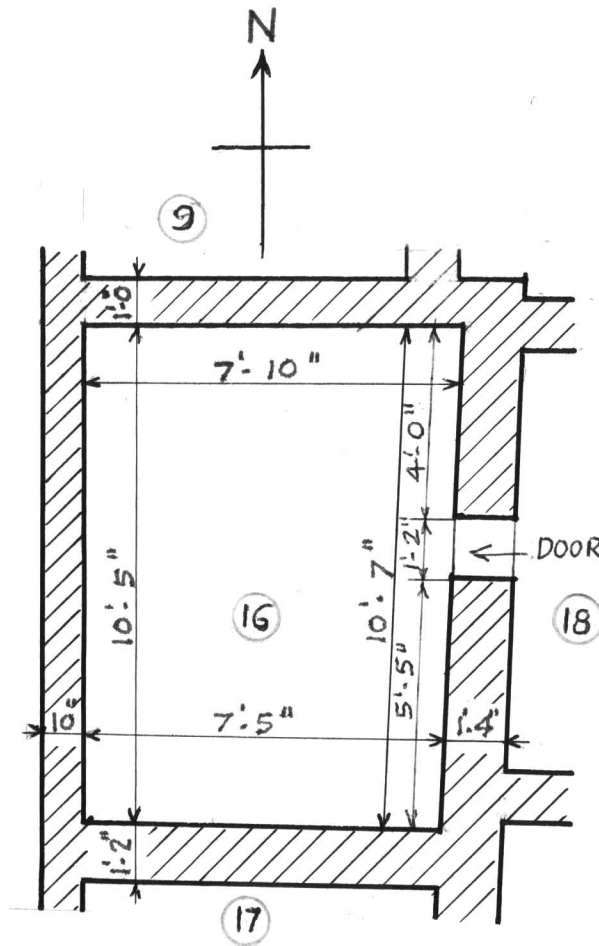
B = BOTH

U = UNKNOWN

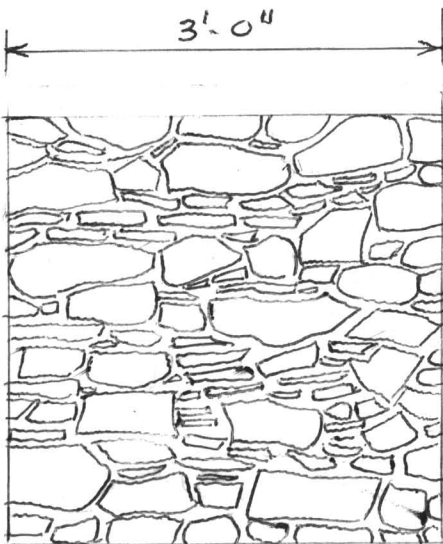
○ = ROOM NUMBER

CHACO CULTURE NHP ARCHITECTURE RECORDING FORM  
 Wall Construction - page 1

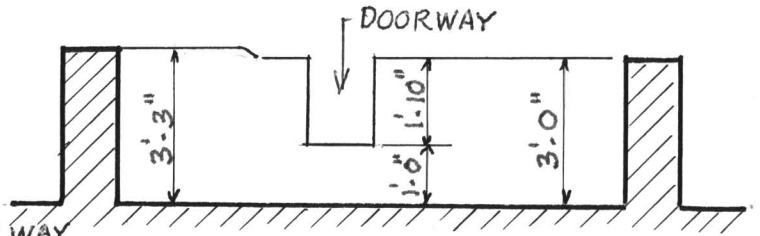
Site Name/Number Room Number	BC-50 Story	Recorder				Date			
		Roll		Frame		Neg #			
		North		East		South		West	
		Int.	Ext.	Int.	Ext.	Int.	Ext.	Int.	Ext.
Masonry Type:									
Sandstone, hard/dark									
Sandstone, soft/light									
Other									
Shape:									
Tabular									
Blocky									
Flagged									
Other - RANDOM RUBBLE									
Shaping:									
Pecked									
Ground									
Flaked									
Undressed			X						
Element Size, primary:									
Average Length									
Average Width HEIGHT									
Average Thickness DEPTH									
Munsell color(s):									
# Courses / Vert. meter									
Masonry Type:									
Type I - RANDOM RUBBLE									
Type II									
Type III-IV									
"McElmo"									
Vertical Slab									
Jacal/adobe									
Cross Section									
Single Stone									X
Double Stone		X		X		X			
Compound									
Double w/ Rubble Core									
Compound w/ Rubble Core									
Wood Reinforcements:									
Vertical Uprights									
Horizontal, Single									
Horizontal, Double									
Wall Junctures:									
Right: Tied									
Abutment									
Both									
Unknown									
Left: Tied									
Abutment									
Both									
Unknown									
Wall Dimensions:									
Length		7'-10"		10'-7"		7'-5"			10'-5"
Max. Height		3'-1"		3'-3"		2'-6"			1'-0"
Min. Height		2'-6"		3'-0"		1'-0"			1'-0"
Average Height		2'-9"		3'-1"		1'-9"			1'-0"
Thickness		1'-0"		1'-4"		1'-2"			10"
Diameter									
Interior Floor Area		10'-6" N-S		7'-8" E-W		= 79.8		Sq meters	
Comments (cont. on back):									



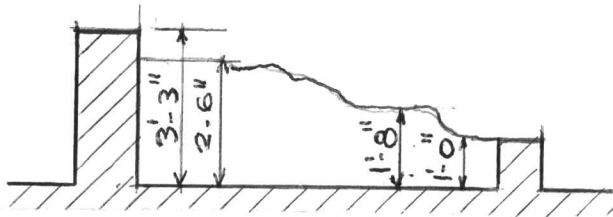
PLAN  
1/4" = 1'-0"



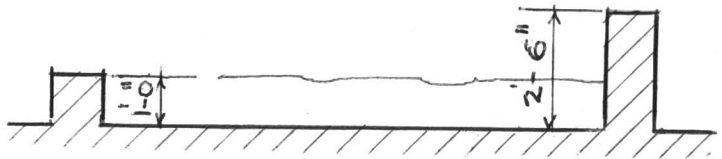
TYPICAL STONE WORK  
NORTH WALL  
SCALE 3/4" = 1'-0"



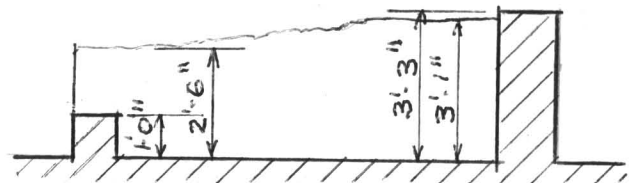
EAST WALL



SOUTH WALL



WEST WALL



NORTH WALL

NOTES

WALL JUNCTURES

A = ABUTMENT

T = TIED

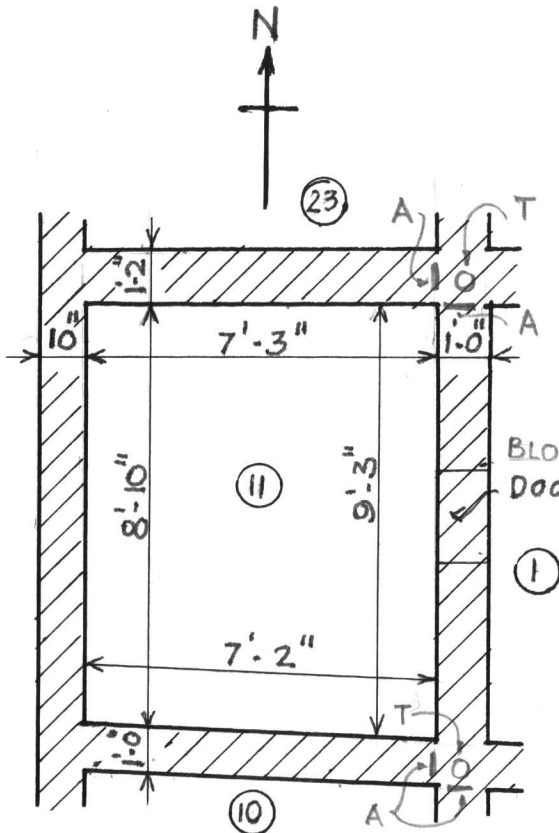
B = BOTH

U = UNKNOWN

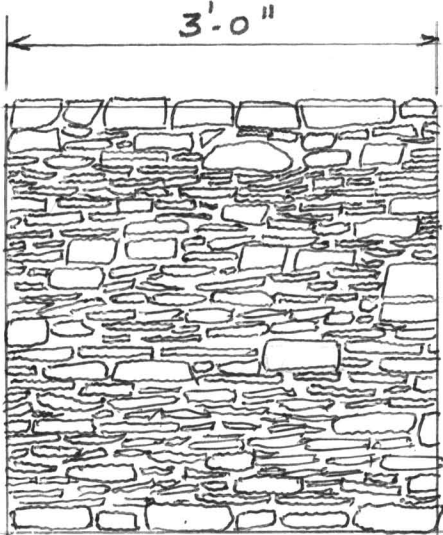
○ = ROOM NUMBER

CHACO CULTURE NHP ARCHITECTURE RECORDING FORM  
 Wall Construction - page 1

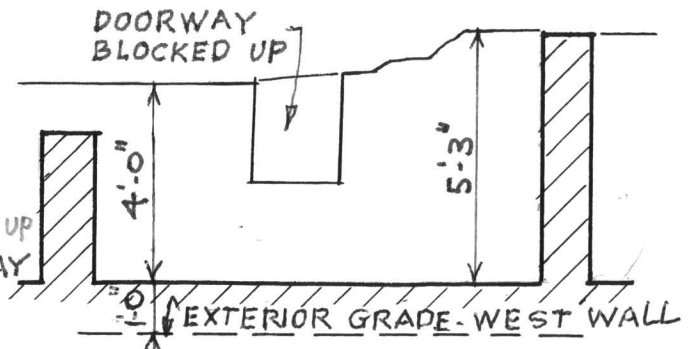
Site Name/Number Room Number	BC-50 Story	Recorder				Frame		Date	
		North		East		South		West	
		Int.	Ext.	Int.	Ext.	Int.	Ext.	Int.	Ext.
Masonry Type:									
Sandstone, hard/dark									
Sandstone, soft/light		X		X		X			X
Other									
Shape:									
Tabular									
Blocky									
Flagged									
Other - RANDOM RUBBLE									
Shaping:									
Pecked									
Ground									
Flaked									
Undressed		X		X		X			X
Element Size, primary:									
Average Length									
Average Width									
Average Thickness									
Munsell color(s):									
# Courses / Vert. meter									
Masonry Type:									
Type I - RANDOM RUBBLE									
Type II									
Type III-IV									
"McElmo"									
Vertical Slab									
Jacal/adobe									
Cross Section									
Single Stone									
Double Stone		X		X		X			X
Compound									
Double w/ Rubble Core									
Compound w/ Rubble Core									
Wood Reinforcements:									
Vertical Uprights									
Horizontal, Single									
Horizontal, Double									
Wall Junctures:									
Right: Tied									
Abutment									
Both									
Unknown									
Left: Tied									
Abutment									
Both									
Unknown									
Wall Dimensions:									
Length		7'-3"		9'-3"		7'-2"			8'-10"
Max. Height		3'-0"		5'-3"		5'-3"			2'-4"
Min. Height		2'-0"		4'-0"		3'-10"			6"
Average Height		2'-6"		4'-7"		4'-1"			1'-4"
Thickness		1'-2"		1'-0"		1'-0"			10"
Diameter									
Interior Floor Area		9'-3" # N-S		7'-3" # E-W				67 Sq. met.	
Comments (cont. on back):									



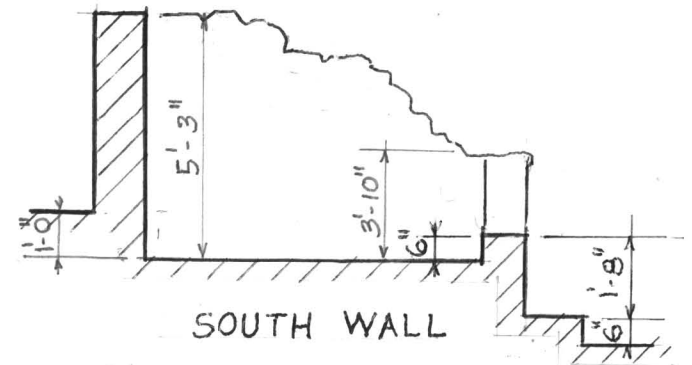
PLAN  
 $\frac{1}{4}'' = 1'-0''$



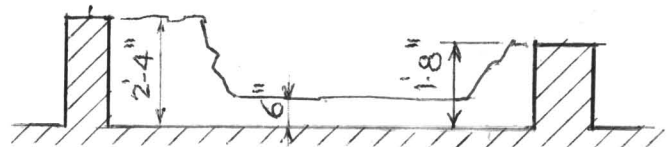
TYPICAL STONE WORK  
 NORTH WALL  
 SCALE  $\frac{3}{4}'' = 1'-0''$   
 SOUTH WALL SIMILAR,  
 STONES SLIGHTLY LARGER



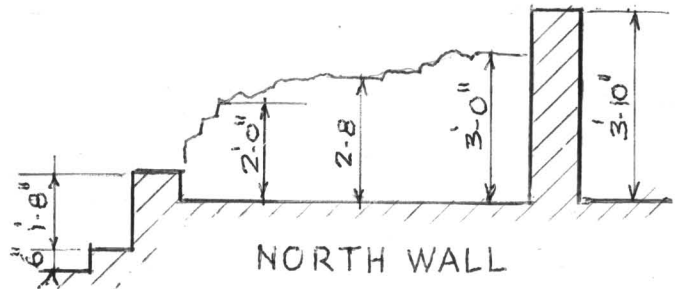
EAST WALL



SOUTH WALL



WEST WALL



NORTH WALL

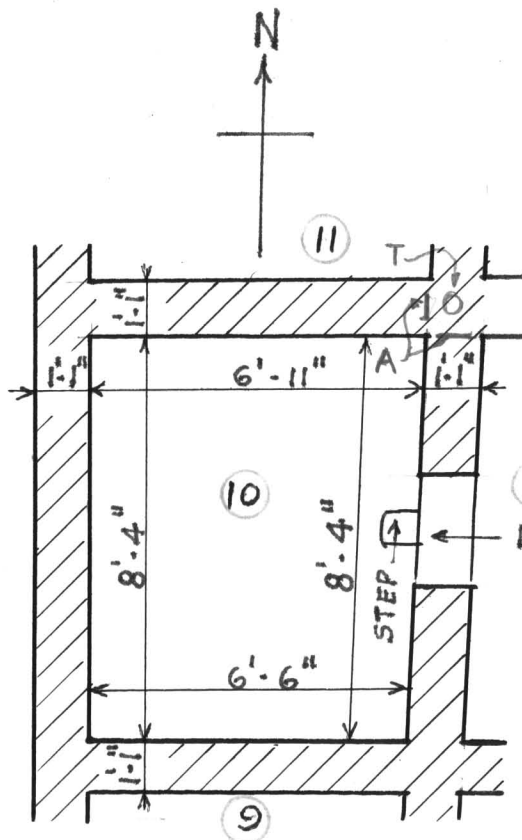
NOTES

- WALL JUNCTURE
- A = ABUTMENT
- T = TIED
- B = BOTH
- U = UNKNOWN
- = ROOM NUMBER

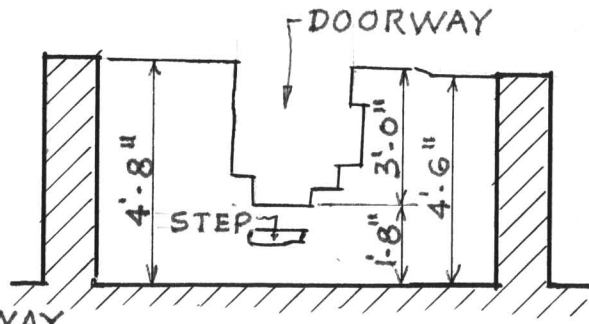
CHACO CULTURE NHP ARCHITECTURE RECORDING FORM  
Wall Construction - page 1

Site Name/Number **BC-50** Recorder \_\_\_\_\_ Date \_\_\_\_\_  
 Room Number **10** Story **1** Roll \_\_\_\_\_ Neg # \_\_\_\_\_

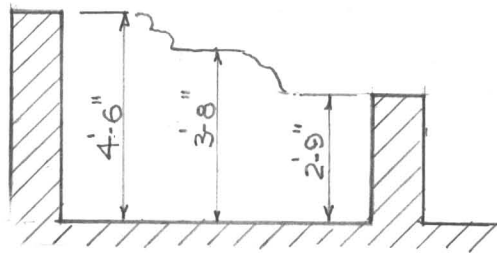
	North		East		South		West	
	Int.	Ext.	Int.	Ext.	Int.	Ext.	Int.	Ext.
Masonry Type:								
Sandstone, hard/dark								
Sandstone, soft/light								
Other								
Shape:								
Tabular								
Blocky								
Flagged								
Other <b>RANDOM RUBBLE</b>								
Shaping:								
Pecked								
Ground								
Flaked								
Undressed								
Element Size, primary:								
Average Length								
Average Width <b>HEIGHT</b>								
Average Thickness <b>DEPTH</b>								
Munsell color(s):								
# Courses / Vert. meter								
Masonry Type:								
Type I - <b>RANDOM RUBBLE</b>								
Type II								
Type III-IV								
'McElmo'								
Vertical Slab								
Jacal/adobe								
Cross Section								
Single Stone								
Double Stone								
Compound								
Double w/ Rubble Core								
Compound w/ Rubble Core								
Wood Reinforcements:								
Vertical Uprights								
Horizontal, Single								
Horizontal, Double								
Wall Junctures:								
Right: Tied								
Abutment								
Both								
Unknown								
Left: Tied								
Abutment								
Both								
Unknown								
Wall Dimensions:								
Length	6'-11"		8'-4"		6'-6"		8'-4"	
Max. Height	4'-8"		4'-8"		4'-6"		2'-6"	
Min. Height	2'-8"		4'-6"		2'-9"		2'-0"	
Average Height	3'-8"		4'-7"		3'-7"		2'-3"	
Thickness	1'-1"		1'-1"		1'-1"		1'-1"	
Diameter								
Interior Floor Area	8'-4" # N-S		6'-5" # E-W		=		53	Sq. meters
Comments (cont. on back):	FT.							



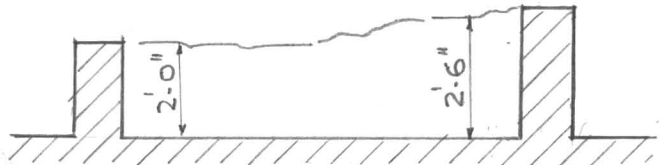
PLAN  
1/4" = 1'-0"



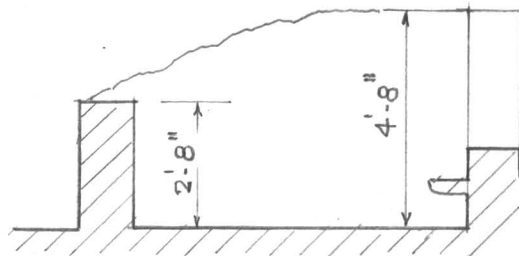
EAST WALL



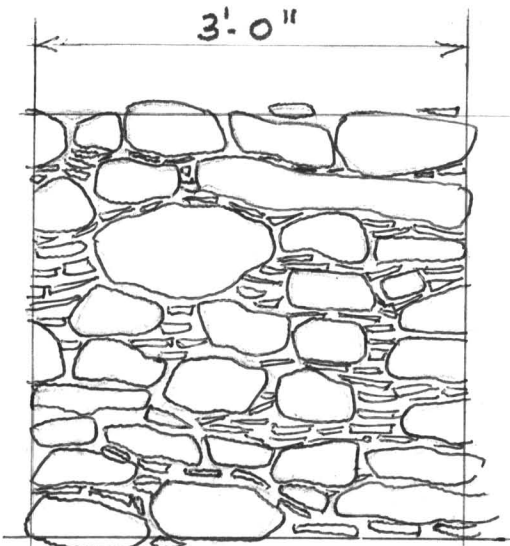
SOUTH WALL



WEST WALL



NORTH WALL



TYPICAL STONE WORK  
NORTH WALL  
SCALE 3/4" = 1'-0"

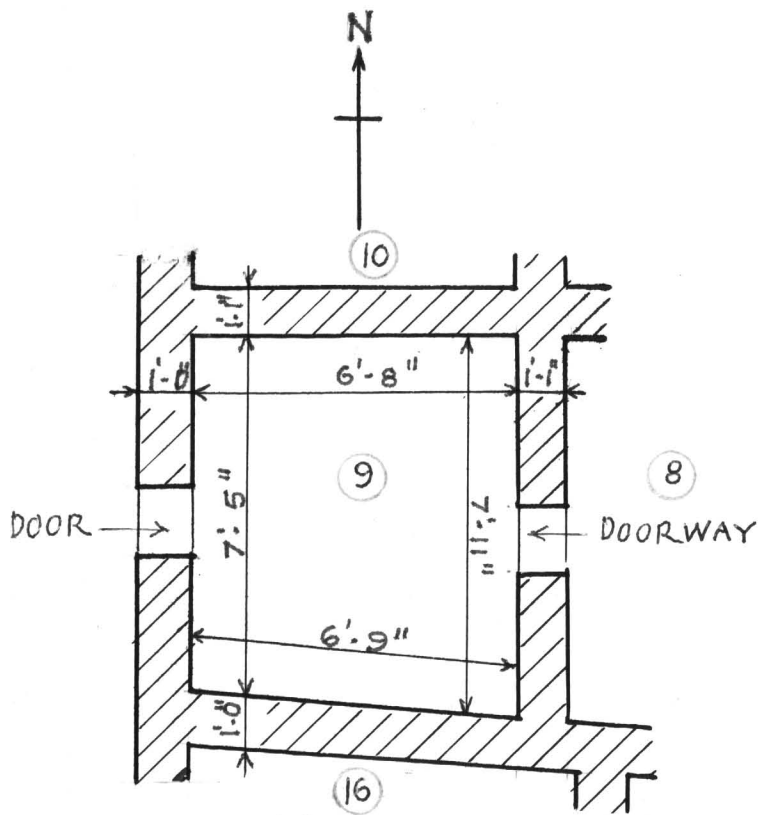
NOTES

- WALL JUNCTURES
- A = ABUTMENT
- T = TIED
- B = BOTH
- U = UNKNOWN

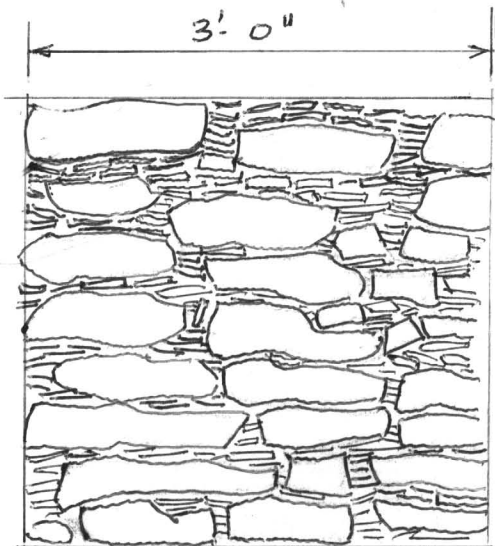
○ = ROOM NUMBER

CHACO CULTURE NHP ARCHITECTURE RECORDING FORM  
Wall Construction - page 1

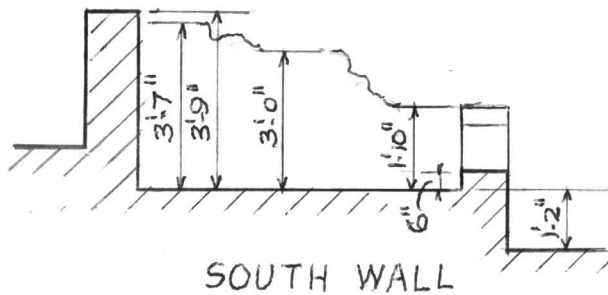
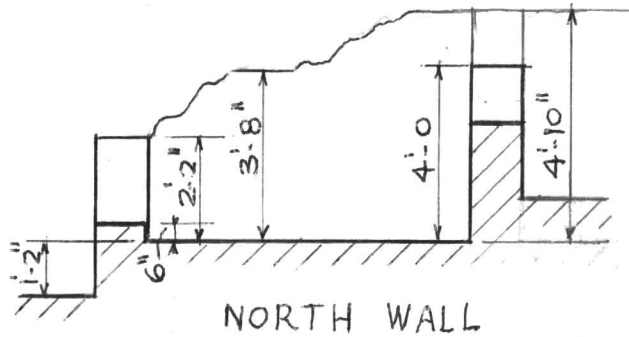
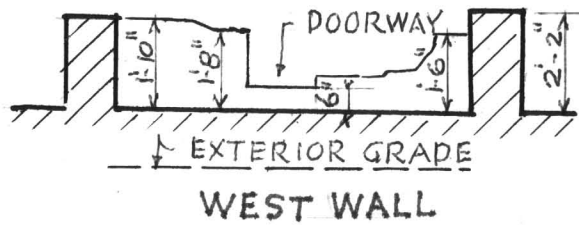
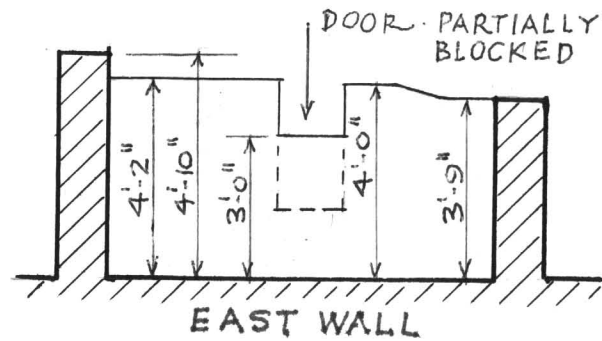
Site Name/Number	BC-50		Recorder				Date			
Room Number	9		Story		Roll		Frame		Neg #	
	North		East		South		West			
	Int.	Ext.	Int.	Ext.	Int.	Ext.	Int.	Ext.	Int.	Ext.
Masonry Type:										
Sandstone, hard/dark										
Sandstone, soft/light										
Other										
Shape:										
Tabular										
Blocky										
Flagged										
Other - RANDOM RUBBLE										
Shaping:										
Pecked										
Ground										
Flaked										
Undressed										
Element Size, primary:										
Average Length										
Average Width HEIGHT										
Average Thickness DEPTH										
Munsell color(s):										
# Courses / Vert. meter										
Masonry Type:										
Type I										
Type II										
Type III-IV										
'McElmo'										
Vertical Slab										
Jacal/adobe										
Cross Section										
Single Stone										
Double Stone	X		X		X		X		X	
Compound										
Double w/ Rubble Core										
Compound w/ Rubble Core										
Wood Reinforcements:										
Vertical Uprights										
Horizontal, Single										
Horizontal, Double										
Wall Junctures:										
Right: Tied										
Abutment										
Both										
Unknown										
Left: Tied										
Abutment										
Both										
Unknown										
Wall Dimensions:										
Length	6'-8"		7'-11"		6'-9"		7'-5"			
Max. Height	4'-10"		4'-2"		3'-7"		1'-8"			
Min. Height	2'-2"		3'-9"		1'-6"		6"			
Average Height	3'-6"		4'-0"		2'-6"		1'-11"			
Thickness	1'-1"		1'-1"		1'-0"		1'-0"			
Diameter										
Interior Floor Area	7'-8" # N-S		6'-8" # E-W		=		50		Sq meters	
Comments (cont. on back):										FT.



PLAN  
SCALE 1/4" = 1'-0"



TYPICAL STONEWORK  
NORTH WALL  
SCALE 3/4" = 1'-0"



NOTES

- WALL JUNCTURES
- A = ABUTMENT
- T = TIED
- B = BOTH
- U = UNKNOWN

○ = ROOM NUMBER

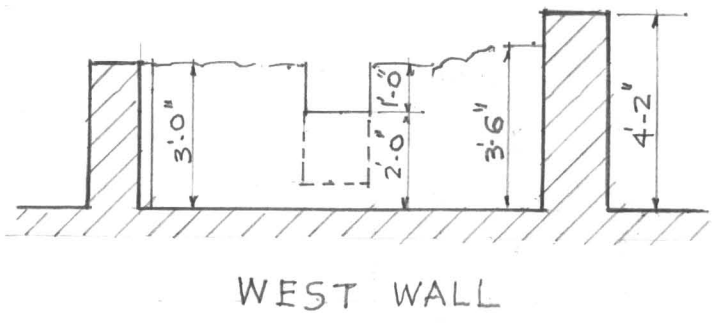
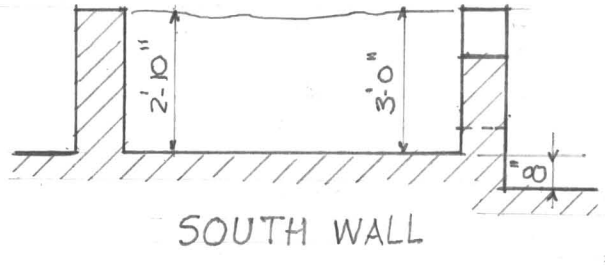
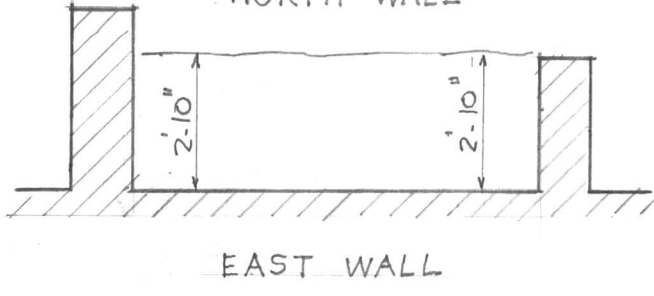
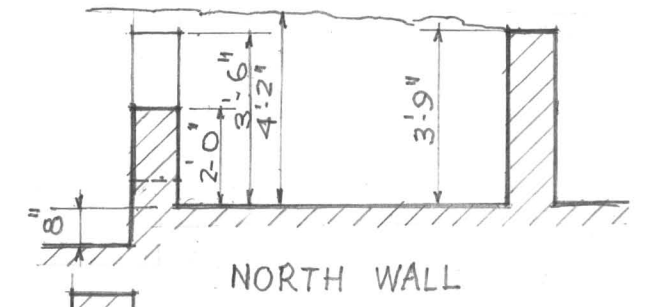
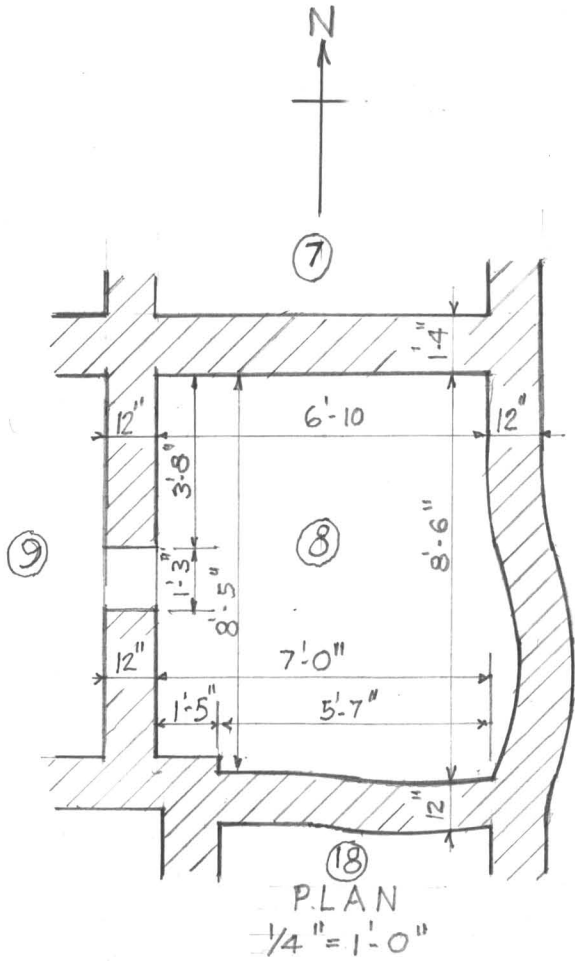
CHACO CULTURE NHP ARCHITECTURE RECORDING FORM  
Wall Construction - page 1

Site Name/Number BC-50 Recorder \_\_\_\_\_ Date \_\_\_\_\_  
Room Number 8 Story 1 Roll \_\_\_\_\_ Frame \_\_\_\_\_ Neg # \_\_\_\_\_

	North		East		South		West	
	Int.	Ext.	Int.	Ext.	Int.	Ext.	Int.	Ext.
Masonry Type:								
Sandstone, hard/dark								
Sandstone, soft/light								
Other								
Shape:								
Tabular								
Blocky								
Flagged								
Other - RANDOM RUBBLE								
Shaping:								
Pecked								
Ground								
Flaked								
Undressed								
Element Size, primary:								
Average Length								
Average Width HEIGHT								
Average Thickness DEPTH								
Munsell color(s):								
# Courses / Vert. meter								
Masonry Type:								
Type I - RANDOM RUBBLE								
Type II								
Type III-IV								
"McElmo"								
Vertical Slab								
Jacal/adobe								
Cross Section								
Single Stone								
Double Stone								
Compound								
Double w/ Rubble Core								
Compound w/ Rubble Core								
Wood Reinforcements:								
Vertical Uprights								
Horizontal, Single								
Horizontal, Double								
Wall Junctures:								
Right: Tied								
Abutment								
Both								
Unknown								
Left: Tied								
Abutment								
Both								
Unknown								
Wall Dimensions:								
Length	6'-10"		8'-6"		7'-0"		8'-5"	
Max. Height	4'-2"		2'-10"		3'-0"		3'-6"	
Min. Height	3'-9"		2'-10"		2'-10"		3'-0"	
Average Height	5'-6"		2'-10"		2'-11"		3'-3"	
Thickness	1'-4"		12"		12"		12"	
Diameter								
Interior Floor Area	8'-6" N-S		6'-11" E-W		= 60		Sq meters	

Comments (cont. on back):

FT.



- NOTES  
 WALL JUNCTURE  
 A = ABUTMENT  
 T = TIED  
 B = BOTH  
 U = UNKNOWN  
 O = ROOM NUMBER

CHACO CULTURE NHP ARCHITECTURE RECORDING FORM  
Wall Construction - page 1

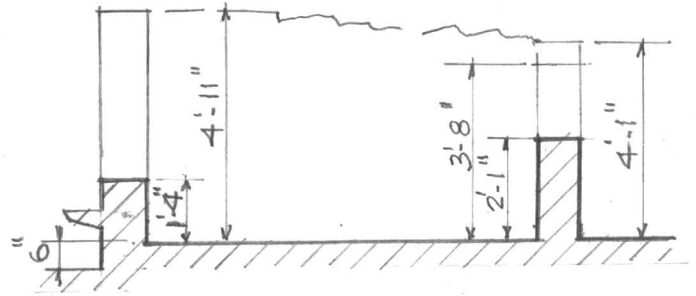
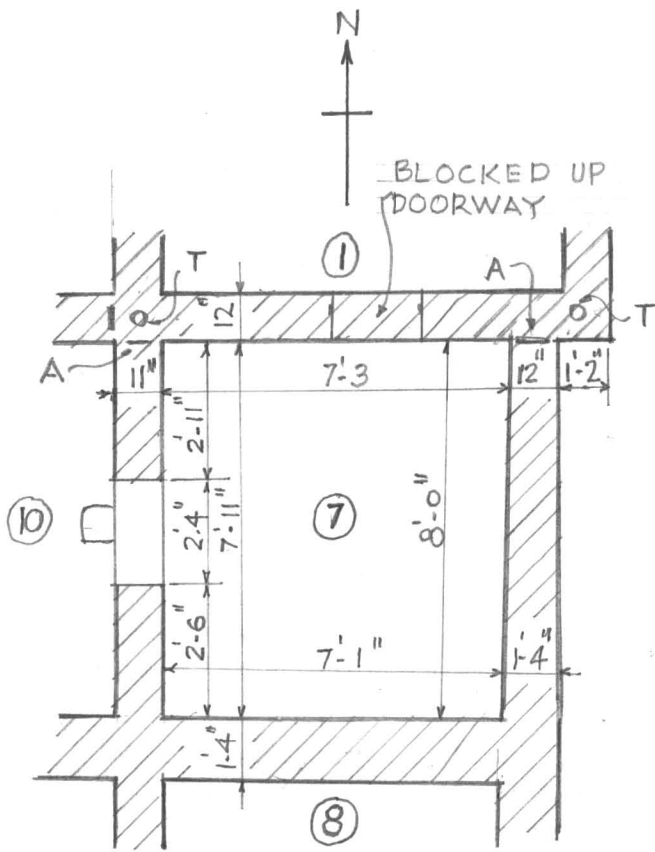
Site Name/Number BC-50 Recorder \_\_\_\_\_ Date \_\_\_\_\_  
Room Number 7 Story 1 Roll \_\_\_\_\_ Frame \_\_\_\_\_ Neg # \_\_\_\_\_

	North		East		South		West	
	Int.	Ext.	Int.	Ext.	Int.	Ext.	Int.	Ext.
Masonry Type:								
Sandstone, hard/dark								
Sandstone, soft/light								
Other								
Shape:								
Tabular								
Blocky								
Flagged								
Other - RANDOM RUBBLE								
Shaping:								
Pecked								
Ground								
Flaked								
Undressed								
Element Size, primary:								
Average Length								
Average Width HEIGHT								
Average Thickness DEPTH								
Munsell color(s):								
# Courses / Vert. meter								
Masonry Type:								
Type I - RANDOM RUBBLE								
Type II								
Type III-IV								
'McElmo'								
Vertical Slab								
Jacal/adobe								
Cross Section								
Single Stone								
Double Stone								
Compound								
Double w/ Rubble Core								
Compound w/ Rubble Core								
Wood Reinforcements:								
Vertical Uprights								
Horizontal, Single								
Horizontal, Double								
Wall Junctures:								
Right: Tied								
Abutment								
Both								
Unknown								
Left: Tied								
Abutment								
Both								
Unknown								
Wall Dimensions:								
Length	7'-3"		8'-0"		7'-1"		7'-11"	
Max. Height	4'-11"		3'-8"		3'-8"		4'-11"	
Min. Height	4'-1"		2'-1"		3'-8"		3'-8"	
Average Height	4'-6"		2'-4"		3'-8"		3'-10"	
Thickness	12"		12"		1'-5"		11"	
Diameter								

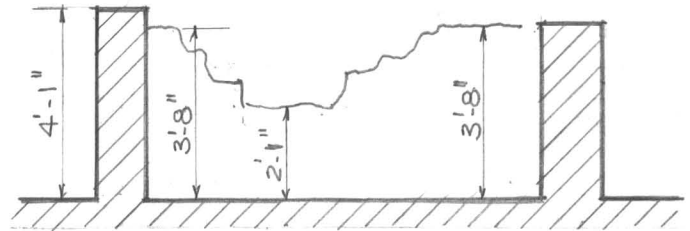
Interior Floor Area 8'-0" N-S 7'-2" E-W = 51 Sq meters

Comments (cont. on back):

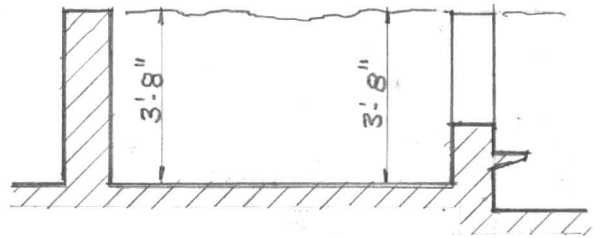
FT.



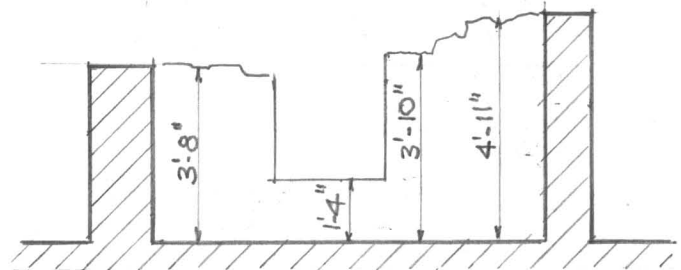
NORTH WALL



EAST WALL



SOUTH WALL



WEST WALL

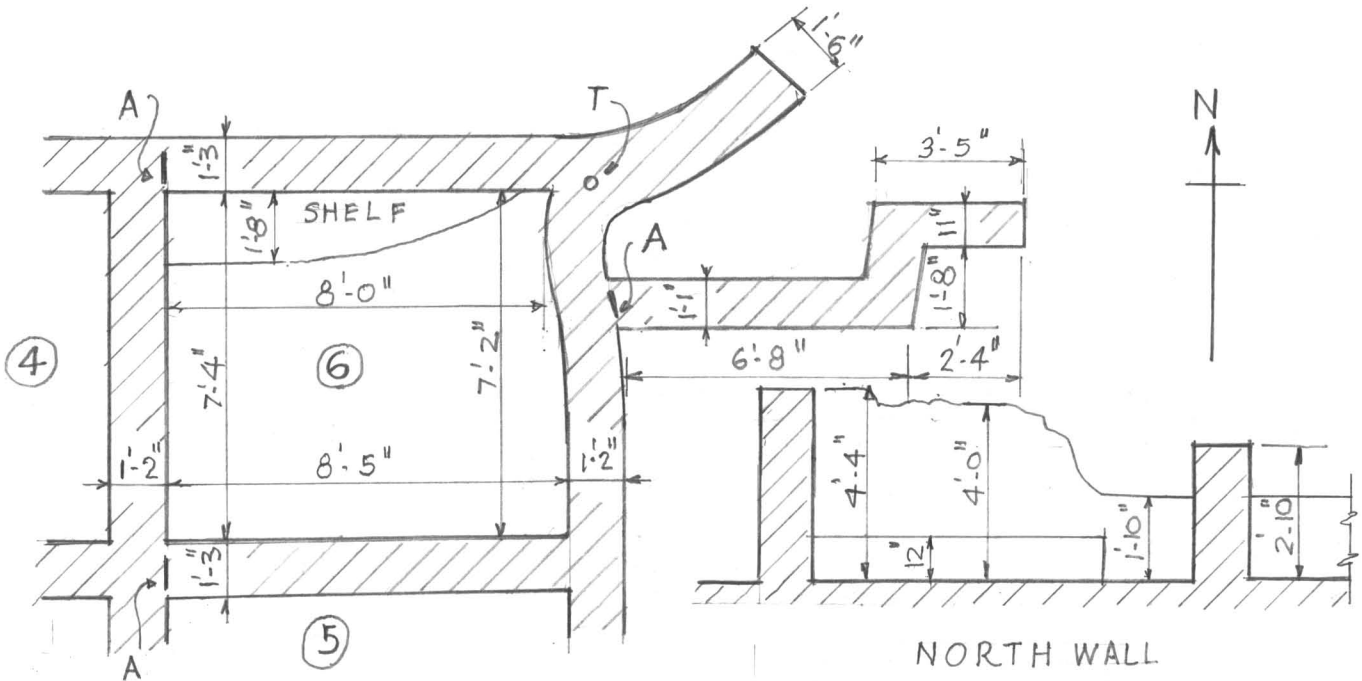
NOTES

WALL JUNCTURE  
 A = ABUTMENT  
 T = TIED  
 B = BOTH  
 U = UNKNOWN

○ = ROOM NUMBER

CHACO CULTURE NHP ARCHITECTURE RECORDING FORM  
 Wall Construction - page 1

Site Name/Number	BC - 50		Recorder					Date
Room Number	6	Story	I	Roll	East	Frame	South	Neg #
	North		East		South		West	
	Int.	Ext.	Int.	Ext.	Int.	Ext.	Int.	Ext.
Masonry Type:								
Sandstone, hard/dark								
Sandstone, soft/light								
Other								
Shape:								
Tabular								
Blocky								
Flagged								
Other - RANDOM RUBBLE								
Shaping:								
Pecked								
Ground								
Flaked								
Undressed								
Element Size, primary:								
Average Length								
Average Width HEIGHT								
Average Thickness DEPTH								
Munsell color(s):								
# Courses / Vert. meter								
Masonry Type:								
Type I - RANDOM RUBBLE								
Type II								
Type III-IV								
"McElmo"								
Vertical Slab								
Jacal/adobe								
Cross Section								
Single Stone								
Double Stone								
Compound								
Double w/ Rubble Core								
Compound w/ Rubble Core								
Wood Reinforcements:								
Vertical Uprights								
Horizontal, Single								
Horizontal, Double								
Wall Junctures:								
Right: Tied								
Abutment								
Both								
Unknown								
Left: Tied								
Abutment								
Both								
Unknown								
Wall Dimensions:								
Length	8'-0"		7'-2"		8'-5"		7'-4"	
Max. Height	4'-4"		3'-1"		5'-3"		5'-3"	
Min. Height	1'-10"		2'-10"		3'-1"		4'-0"	
Average Height	3'-1"		2'-11"		4'-2"		4'-8"	
Thickness	1'-3"		1'-2"		1'-3"		1'-2"	
Diameter								
Interior Floor Area	7'-3" m N-S		8'-2" m E-W		= 59.70 Sq meters			
Comments (cont. on back):								



PLAN  
1/4" = 1'-0"

NOTES

WALL JUNCTURES

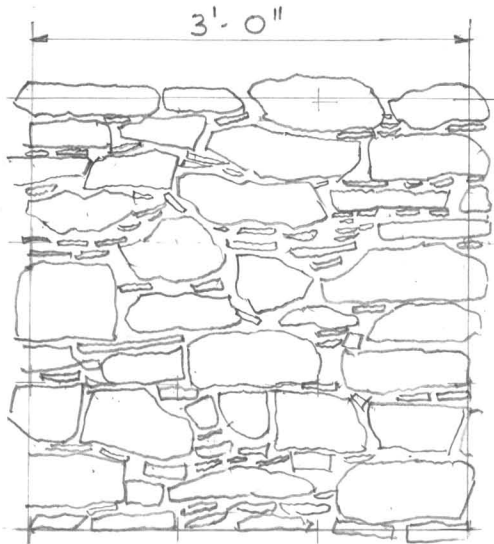
A = ABUTMENT

T = TIED

B = BOTH

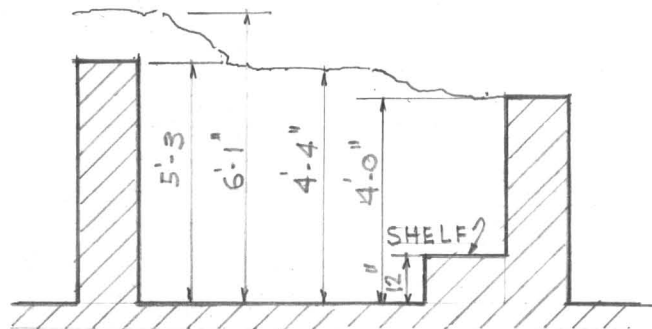
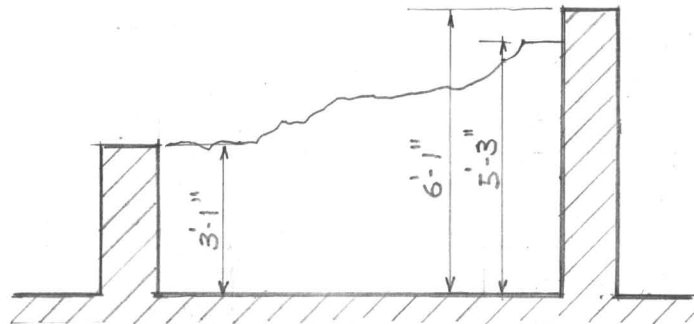
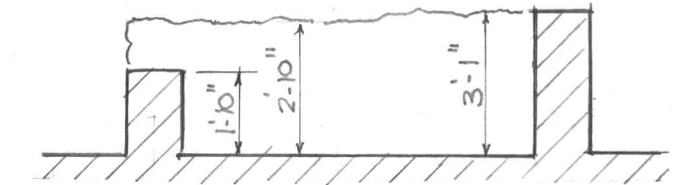
U = UNKNOWN

○ = ROOM NUMBER



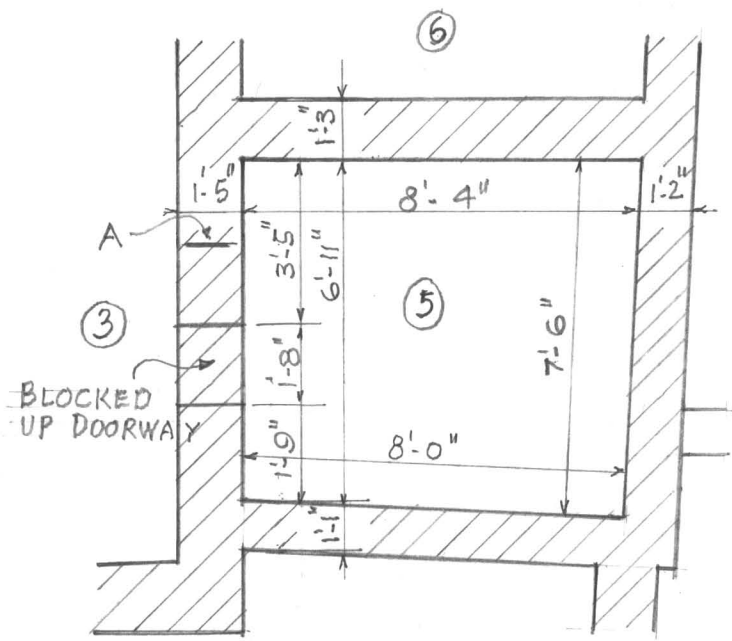
TYPICAL STONE WORK  
EXTERIOR-SOUTH WALL

SCALE 3/4" = 1'-0"

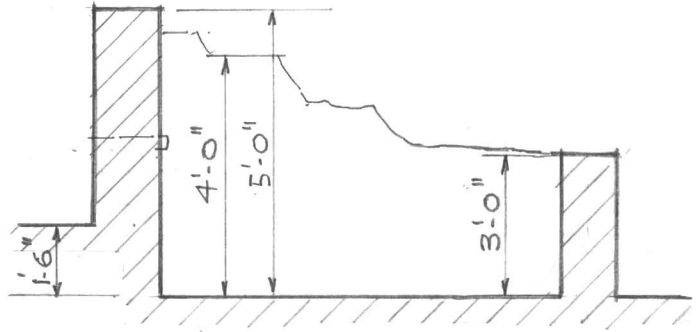


CHACO CULTURE NHP ARCHITECTURE RECORDING FORM  
Wall Construction - page 1

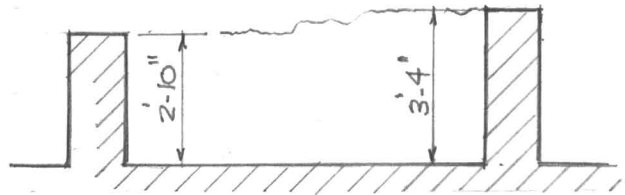
Site Name/Number	BC-50		Recorder				Date	
Room Number	5	Story	1	Roll		Frame		Neg #
	North		East		South		West	
	Int.	Ext.	Int.	Ext.	Int.	Ext.	Int.	Ext.
Masonry Type:								
Sandstone, hard/dark								
Sandstone, soft/light								
Other								
Shape:								
Tabular								
Blocky								
Flagged								
Other-RANDOM RUBBLE								
Shaping:								
Pecked								
Ground								
Flaked								
Undressed								
Element Size, primary:								
Average Length								
Average Width HEIGHT								
Average Thickness DEPTH								
Munsell color(s):								
# Courses / Vert. meter								
Masonry Type:								
Type I-RANDOM RUBBLE								
Type II								
Type III-IV								
"McElmo"								
Vertical Slab								
Jacal/adobe								
Cross Section								
Single Stone								
Double Stone								
Compound								
Double w/ Rubble Core								
Compound w/ Rubble Core								
Wood Reinforcements:								
Vertical Uprights								
Horizontal, Single								
Horizontal, Double								
Wall Junctures:								
Right: Tied								
Abutment								
Both								
Unknown								
Left: Tied								
Abutment								
Both								
Unknown								
Wall Dimensions:								
Length	8'-4"		7'-6"		8'-0"		6'-11"	
Max. Height	5'-0"		3'-4"		5'-2"		6'-2"	
Min. Height	3'-0"		2'-10"		3'-4"		5'-2"	
Average Height	4'-0"		3'-1"		4'-3"		5'-8"	
Thickness	1'-3"		1'-2"		1'-1"		1'-5"	
Diameter								
Interior Floor Area	7'-2" N-S		8'-2" E-W		= 60		Sq meters	
Comments (cont. on back):								FT.



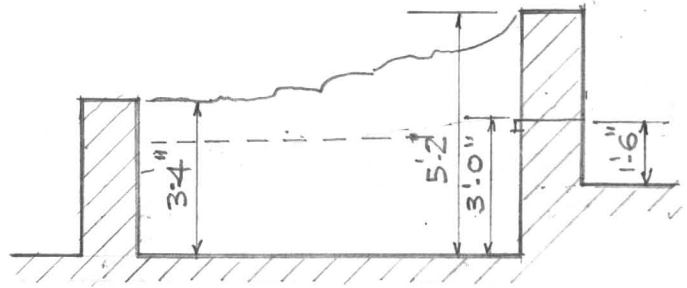
PLAN  
 $\frac{1}{4}'' = 1'-0''$



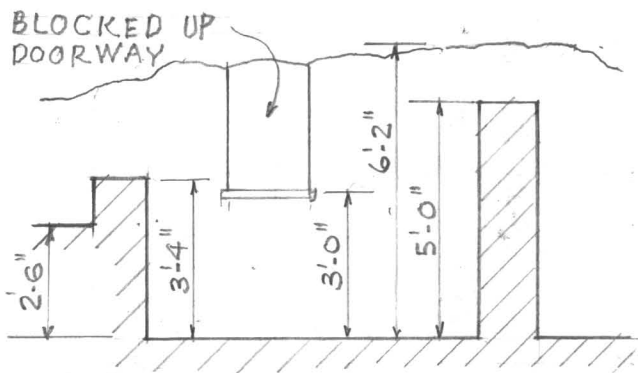
NORTH WALL



EAST WALL



SOUTH WALL



WEST WALL

NOTES

WALL JUNCTURES :

A = ABUTMENT

T = TIED

B = BOTH

U = UNKNOWN

○ = ROOM NUMBER

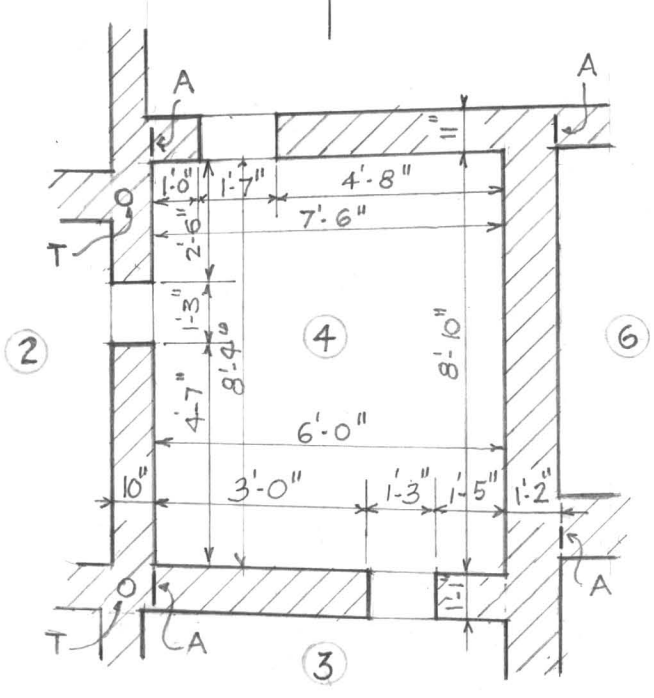
CHACO CULTURE NHP ARCHITECTURE RECORDING FORM  
Wall Construction - page 1

Site Name/Number BC - 50 Recorder \_\_\_\_\_ Date \_\_\_\_\_  
Room Number 4 Story 1 Roll \_\_\_\_\_ Frame \_\_\_\_\_ Neg # \_\_\_\_\_

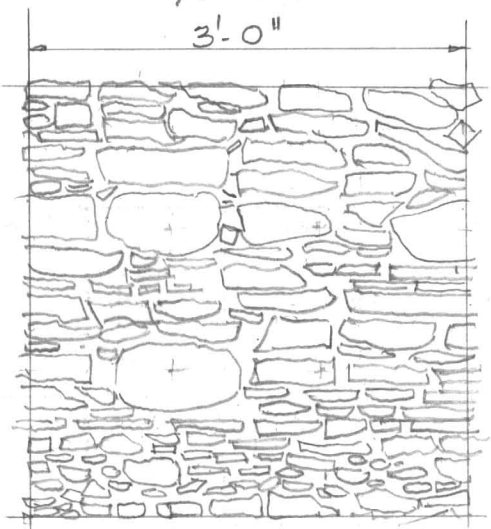
	North		East		South		West	
	Int.	Ext.	Int.	Ext.	Int.	Ext.	Int.	Ext.
Masonry Type:								
Sandstone, hard/dark								
Sandstone, soft/light								
Other								
Shape:								
Tabular								
Blocky								
Flagged								
Other - RANDOM RUBBLE								
Shaping:								
Pecked								
Ground								
Flaked								
Undressed								
Element Size, primary:								
Average Length								
Average Width HEIGHT								
Average Thickness DEPTH								
Munsell color(s):								
# Courses / Vert. meter								
Masonry Type:								
Type I - RANDOM RUBBLE								
Type II								
Type III-IV								
'McElmo'								
Vertical Slab								
Jacal/adobe								
Cross Section								
Single Stone								
Double Stone	X		X		X		X	
Compound								
Double w/ Rubble Core								
Compound w/ Rubble Core								
Wood Reinforcements:								
Vertical Uprights								
Horizontal, Single								
Horizontal, Double								
Wall Junctures:								
Right: Tied								
Abutment								
Both								
Unknown								
Left: Tied								
Abutment								
Both								
Unknown								
Wall Dimensions:								
Length		7'-6"		8'-10"		6'-0"		8'-4"
Max. Height		5'-4"		6'-2"		4'-8"		5'-4"
Min. Height		4'-8"		4'-8"		3'-4"		5'-4"
Average Height		5'-0"		5'-5"		4'-0"		5'-4"
Thickness		11"		1'-2"		1'-1"		10"
Diameter								
Interior Floor Area		8'-7"	# N-S	6'-9"	# E-W =	61	Sq meter =	

Comments (cont. on back):

FT.



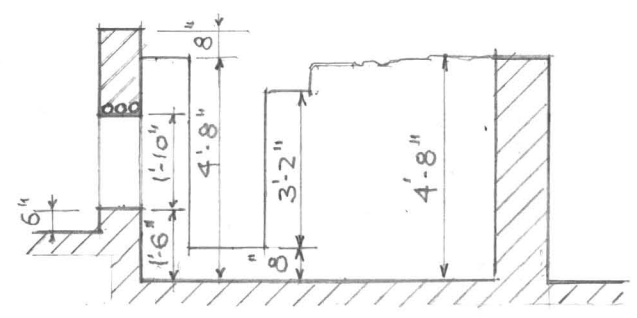
PLAN  
 $1/4" = 1'-0"$   
 3'-0"



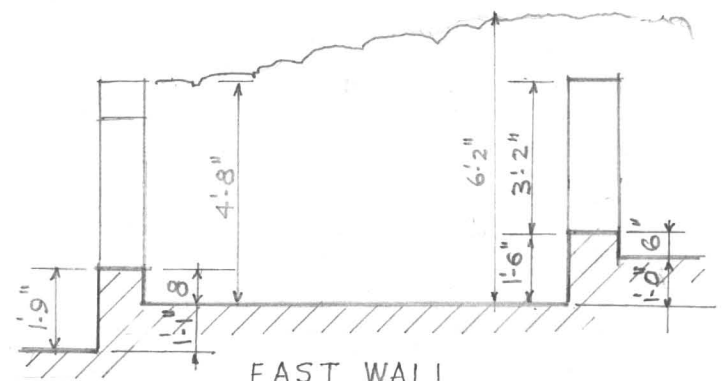
TYPICAL STONE WORK  
 EAST WALL  
 SCALE  $3/4" = 1'-0"$

NOTES

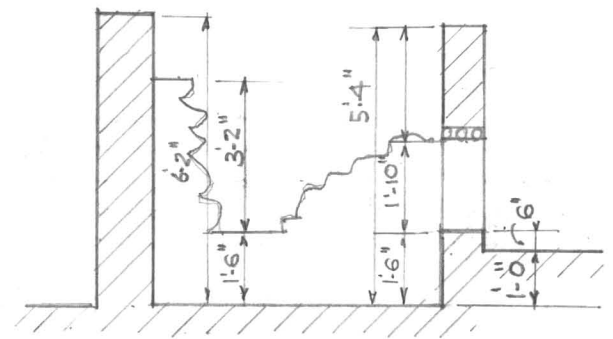
- WALL JUNCTURE:—  
 A = ABUTMENT  
 T = TIED  
 B = BOTH  
 U = UNKNOWN  
 ○ = ROOM NUMBER



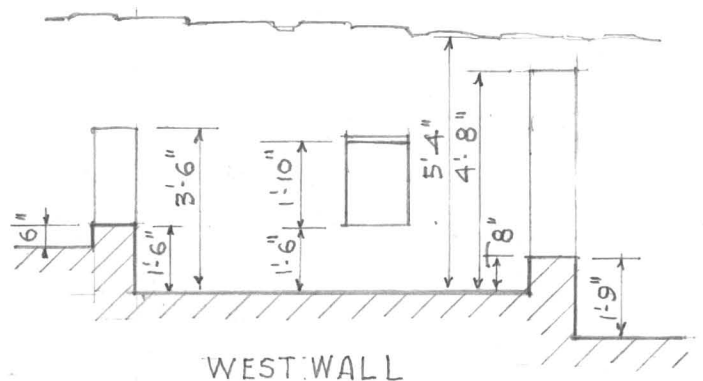
NORTH WALL



EAST WALL



SOUTH WALL



WEST WALL

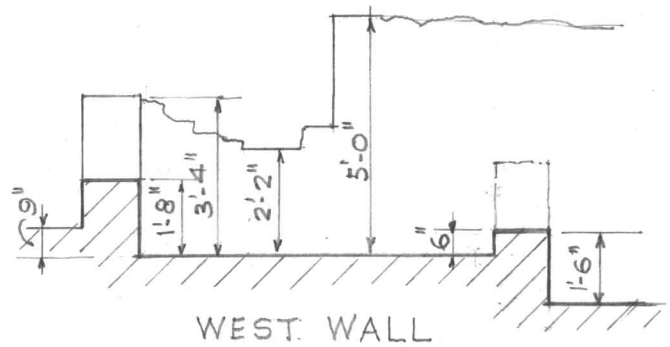
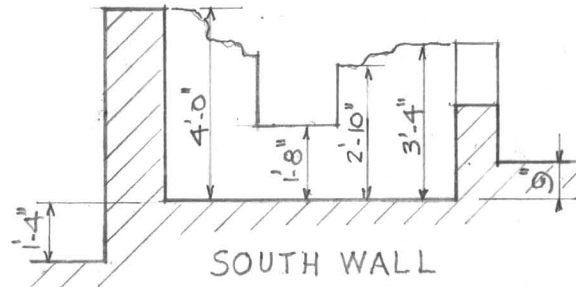
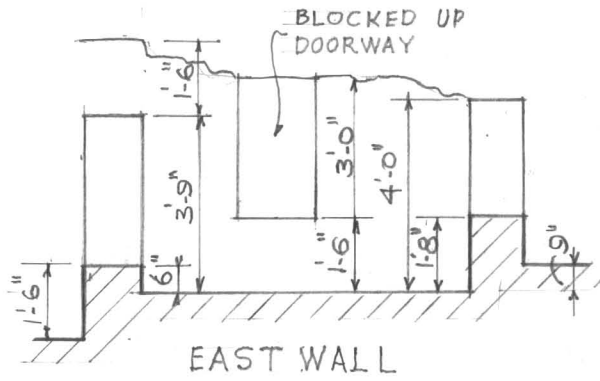
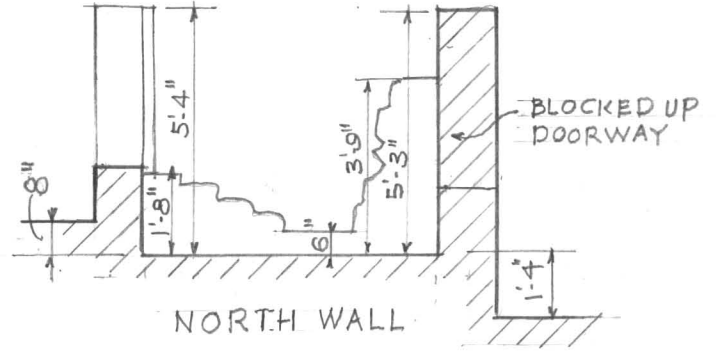
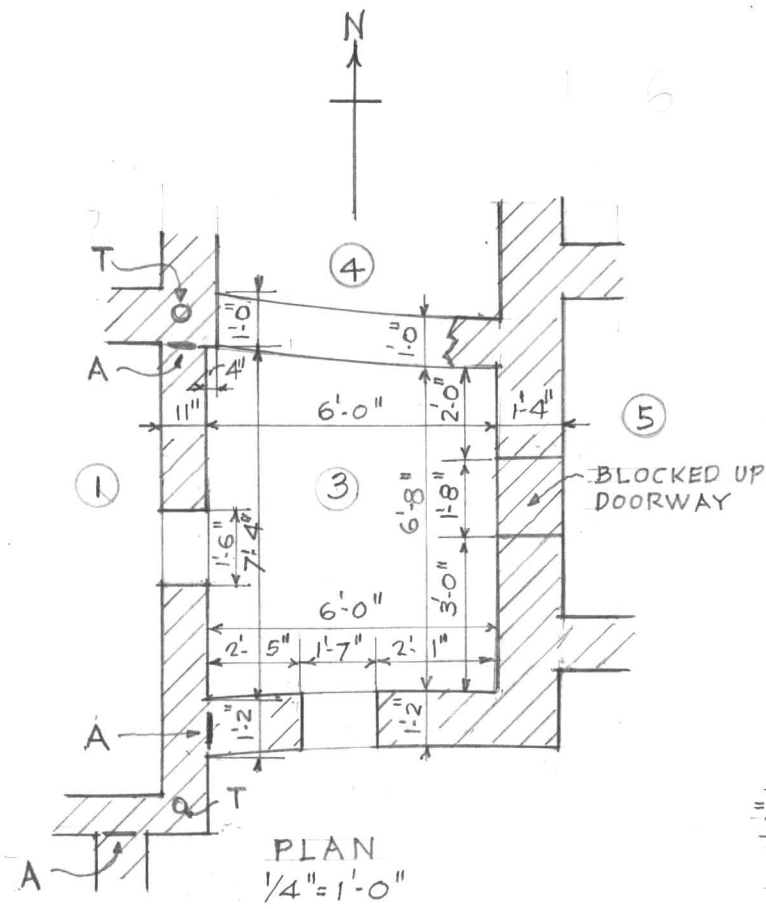
CHACO CULTURE NHP ARCHITECTURE RECORDING FORM  
Wall Construction - page 1

Site Name/Number BC-50 Recorder \_\_\_\_\_ Date \_\_\_\_\_  
 Room Number 3 Story 1 Roll \_\_\_\_\_ Frame \_\_\_\_\_ Neg # \_\_\_\_\_

	North		East		South		West	
	Int.	Ext.	Int.	Ext.	Int.	Ext.	Int.	Ext.
Masonry Type:								
Sandstone, hard/dark								
Sandstone, soft/light								
Other								
Shape:								
Tabular								
Blocky								
Flagged								
Other - RANDOM RUBBLE								
Shaping:								
Pecked								
Ground								
Flaked								
Undressed								
Element Size, primary:								
Average Length								
Average Width HEIGHT								
Average Thickness DEPTH								
Munsell color(s):								
# Courses / Vert. meter								
Masonry Type:								
Type I - RANDOM RUBBLE								
Type II								
Type III-IV								
"McElmo"								
Vertical Slab								
Jacal/adobe								
Cross Section								
Single Stone								
Double Stone	X						X	
Compound								
Double w/ Rubble Core								
Compound w/ Rubble Core								
Wood Reinforcements:								
Vertical Uprights								
Horizontal, Single								
Horizontal, Double								
Wall Junctures:								
Right: Tied								
Abutment								
Both								
Unknown								
Left: Tied								
Abutment								
Both								
Unknown								
Wall Dimensions:								
Length	6'-0"		6'-8"		6'-0"		7'-4"	
Max. Height	3'-9"		5'-3"		4'-0"		5'-0"	
Min. Height	6"		4'-0"		3'-4"		3'-4"	
Average Height	2'-2"		4'-7"		3'-8"		4'-2"	
Thickness	12"		1'-4"		1'-2"		11"	
Diameter								

Interior Floor Area 7'-0" # N-S 6'-0" # E-W = 42 Sq meters

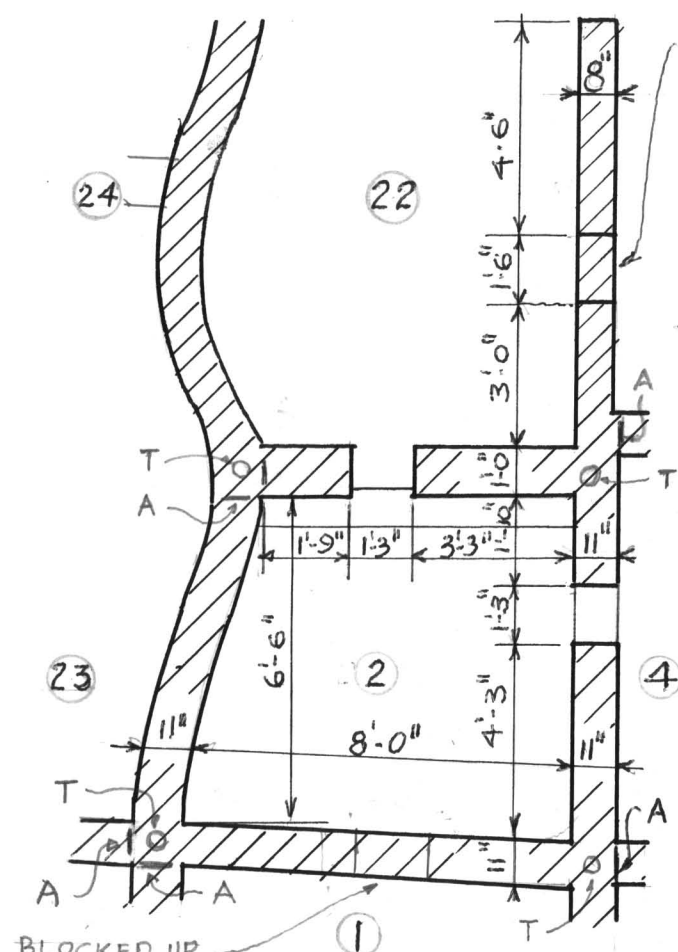
Comments (cont. on back): \_\_\_\_\_ FT.



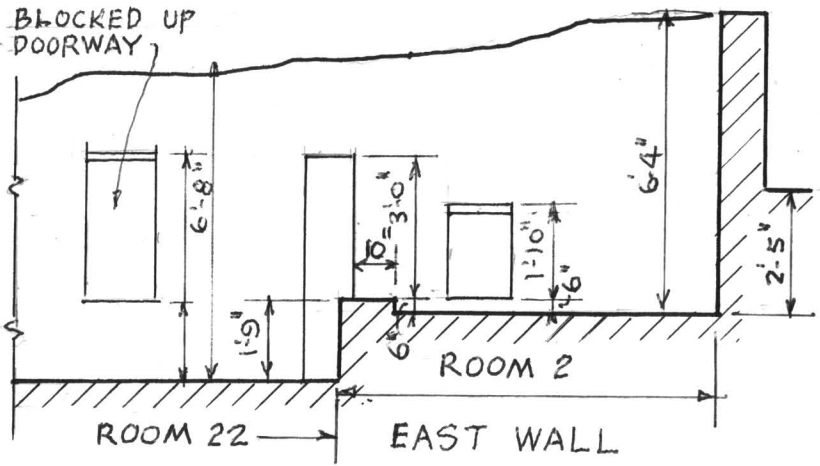
- NOTES :-  
 WALL JUNCTURES :-  
 A = ABUTMENT  
 T = TIED  
 B = BOTH  
 U = UNKNOWN  
 ○ = ROOM NUMBER

CHACO CULTURE NHP ARCHITECTURE RECORDING FORM  
Wall Construction - page 1.

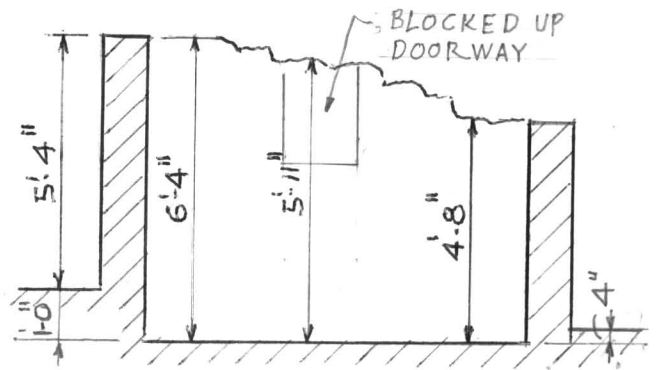
Site Name/Number Room Number	BC-50 Story	Recorder		Date					
		Roll	Frame	Neg #					
		North		East		South		West	
		Int.	Ext.	Int.	Ext.	Int.	Ext.	Int.	Ext.
Masonry Type:									
Sandstone, hard/dark									
Sandstone, soft/light		X		X		X		X	
Other									
Shape:									
Tabular				X					
Blocky		X						X	
Flagged									
Other RANDOM RUBBLE						X			
Shaping:									
Pecked									
Ground									
Flaked									
Undressed		X		X		X		X	
Element Size, primary:									
Average Length		7"		6"		8"		7"	
Average Width HEIGHT		3 1/2"		2"		2"		3"	
Average Thickness DEPTH		-		-		-		-	
Munsell color(s):									
# Courses / Vert. meter		10		12		9		9	
Masonry Type:									
Type I RANDOM RUBBLE		X		X		X		X 30%	
Type II		X						X 70%	
Type III-IV									
"McElmo"									
Vertical Slab									
Jacal/adobe									
Cross Section									
Single Stone									
Double Stone		X		X		X		X	
Compound									
Double w/ Rubble Core									
Compound w/ Rubble Core									
Wood Reinforcements:									
Vertical Uprights									
Horizontal, Single									
Horizontal, Double									
Wall Junctures:									
Right: Tied		SEE DIAGRAM							
Abutment									
Both									
Unknown									
Left: Tied									
Abutment									
Both									
Unknown									
Wall Dimensions:									
Length		6'-3"		7'-4"		8'-0"		6'-6"	
Max. Height		3'-0"		6'-4"		6'-4"		4'-8"	
Min. Height		2'-0"		5'-0"		4'-8"		2'-0"	
Average Height		2'-6"		5'-8"		5'-6"		3'-4"	
Thickness		12"		11"		11"			
Diameter									
Interior Floor Area		6'-11"		7'-1"				49	Sq meter
Comments (cont. on back):									



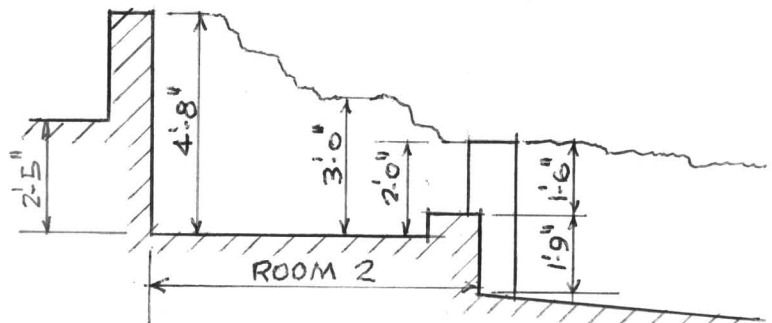
PLAN  
1/4" = 1'-0"



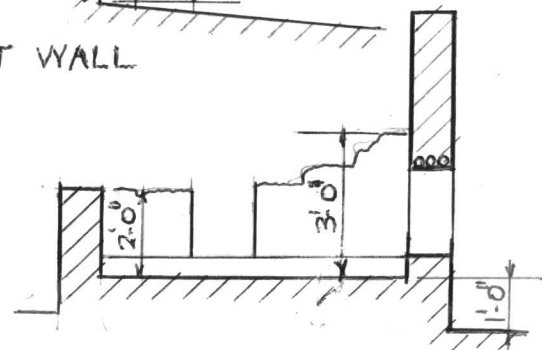
EAST WALL



SOUTH WALL



WEST WALL



NORTH WALL

**NOTES**

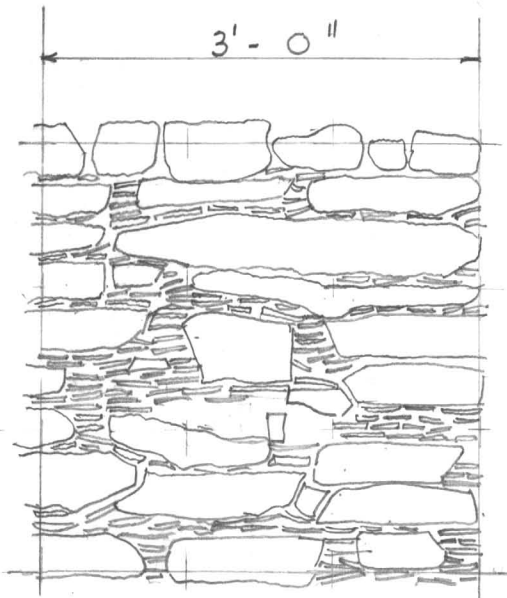
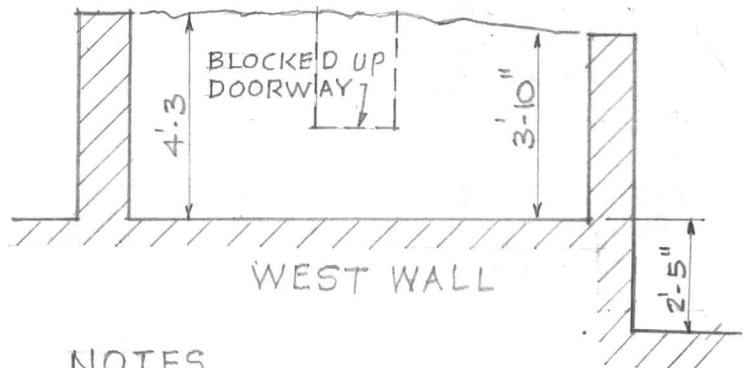
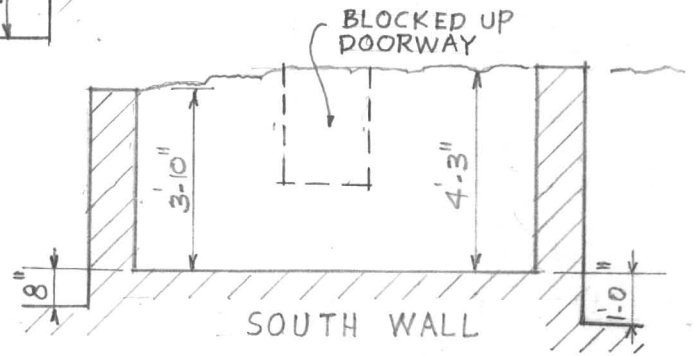
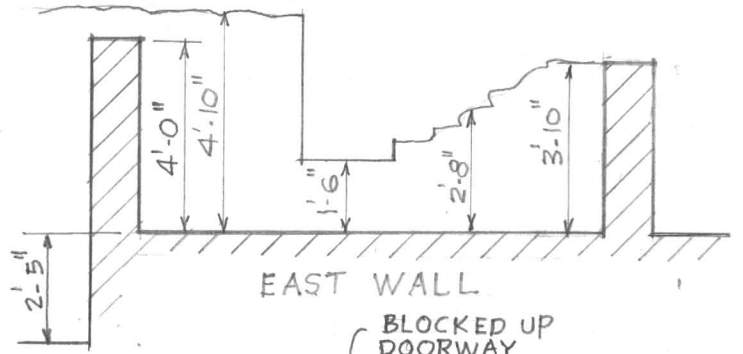
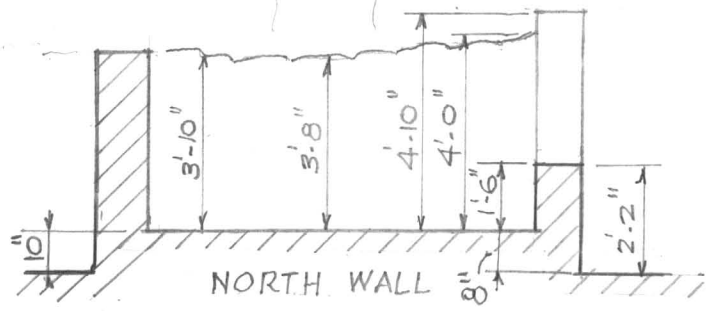
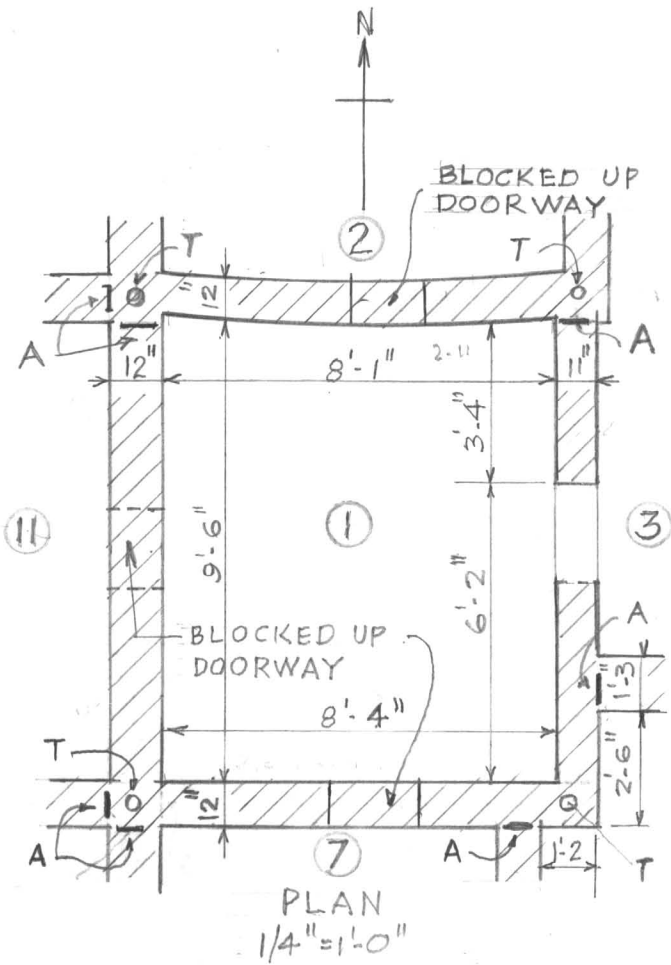
- WALL JUNCTURES
- A = ABUTMENT
- T = TIED
- B = BOTH
- U = UNKNOWN

○ = ROOM NUMBER

CHACO CULTURE NHP ARCHITECTURE RECORDING FORM  
Wall Construction - page 1

Site Name/Number BC-50 Recorder \_\_\_\_\_ Date \_\_\_\_\_  
Room Number 1 Story 1 Roll \_\_\_\_\_ Frame \_\_\_\_\_ Neg # \_\_\_\_\_

	North		East		South		West	
	Int.	Ext.	Int.	Ext.	Int.	Ext.	Int.	Ext.
Masonry Type:								
Sandstone, hard/dark								
Sandstone, soft/light	X		X		X		X	
Other								
Shape:								
Tabular	X						X	
Blocky								
Flagged								
Other <u>SMALL - BOTH</u>			X		X			
Shaping:								
Pecked	X							
Ground	?						X	
Flaked	X						X	
Undressed	X		X		X			
Element Size, primary:								
Average Length	13" - 50%		6"		5"		12"	
Average Width HEIGHT	4" - 50%		1 1/2"		1 1/2"		3 1/2"	
Average Thickness DEPTH	-		-		-		-	
Munsell color(s):								
# Courses / Vert. meter	8		15		20		9	
Masonry Type:								
Type I <u>RANDOM RUBBLE</u>			X		X		X	
Type II	X							X
Type III-IV								
'McElmo'								
Vertical Slab								
Jacal/adobe								
Cross Section								
Single Stone								
Double Stone	X		X		X		X	
Compound								
Double w/ Rubble Core								
Compound w/ Rubble Core								
Wood Reinforcements:								
Vertical Uprights								
Horizontal, Single								
Horizontal, Double								
Wall Junctures:								
Right: Tied	SEE DIAGRAM							
Abutment								
Both								
Unknown								
Left: Tied								
Abutment								
Both								
Unknown								
Wall Dimensions: SEE ELEVATIONS								
Length	8'-1"		9'-6"		8'-4"		9'-6"	
Max. Height	4'-0"		4'-10"		4'-3"		4'-3"	
Min. Height	3'-10"		1'-6"		3'-10"		3'-10"	
Average Height	3'-11"		3'-2"		4'-11"		4'-11"	
Thickness	12"		11"		12"		12"	
Diameter								
Interior Floor Area	8'-2"	m N-S	9'-6"	m E-W =	78	Sq meter		FT.
Comments (cont. on back):								



TYPICAL STONE WORK  
 WEST WALL  
 SCALE  $3/4" = 1'-0"$

- NOTES
- WALL JUNCTURE:-
  - A = ABUTMENT
  - T = TIED
  - B = BOTH
  - U = UNKNOWN
  - = ROOM NUMBER